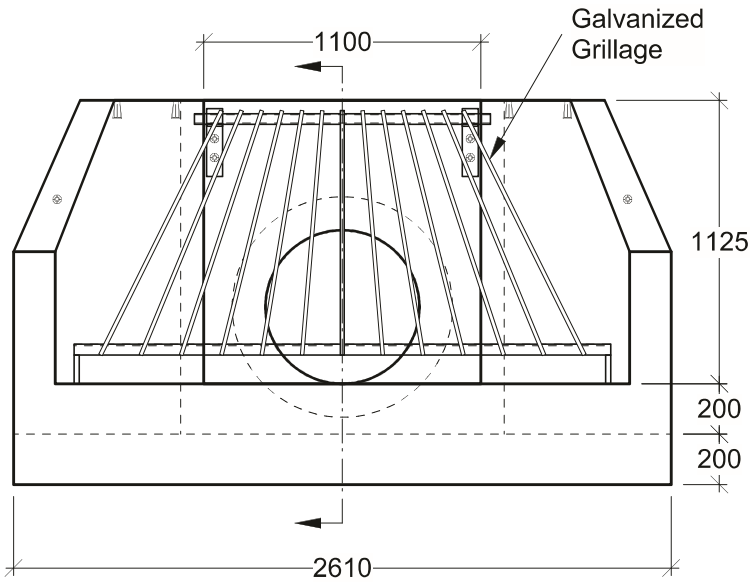
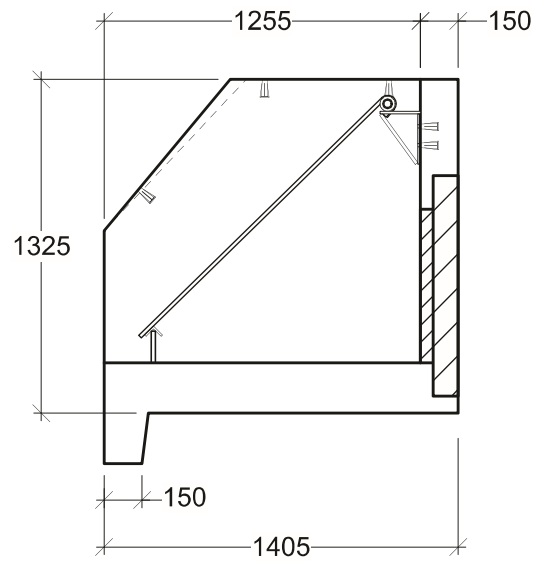


**Plan View**



**Front View**



**Section**

**General Notes:**

- Product manufactured in accordance with CSA A23.4
- Custom Pipe Openings Available
- Lift Points Provided (See Shop Drawing for Quantity & Locations)
- Steel Products manufactured under CSA W47.1 in accordance to CSA W59
- Site Installation, Backfilling & Suitability for Use is the responsibility of others



19060 - 54th Avenue  
Surrey, B.C. V3S 8E5

Tel (604) 576-1808  
info@aeconcrete.com

**11-13 Inlet**  
(For up to 600mmØ RCP)

Headwall: 6,700 lbs / 3,040 kgs  
Grillage: 100 lbs / 45 kgs

Scale: 1:30 mm

Rev: 28Jun08

Dwg#: **HD11-21-ZZZZ-C**