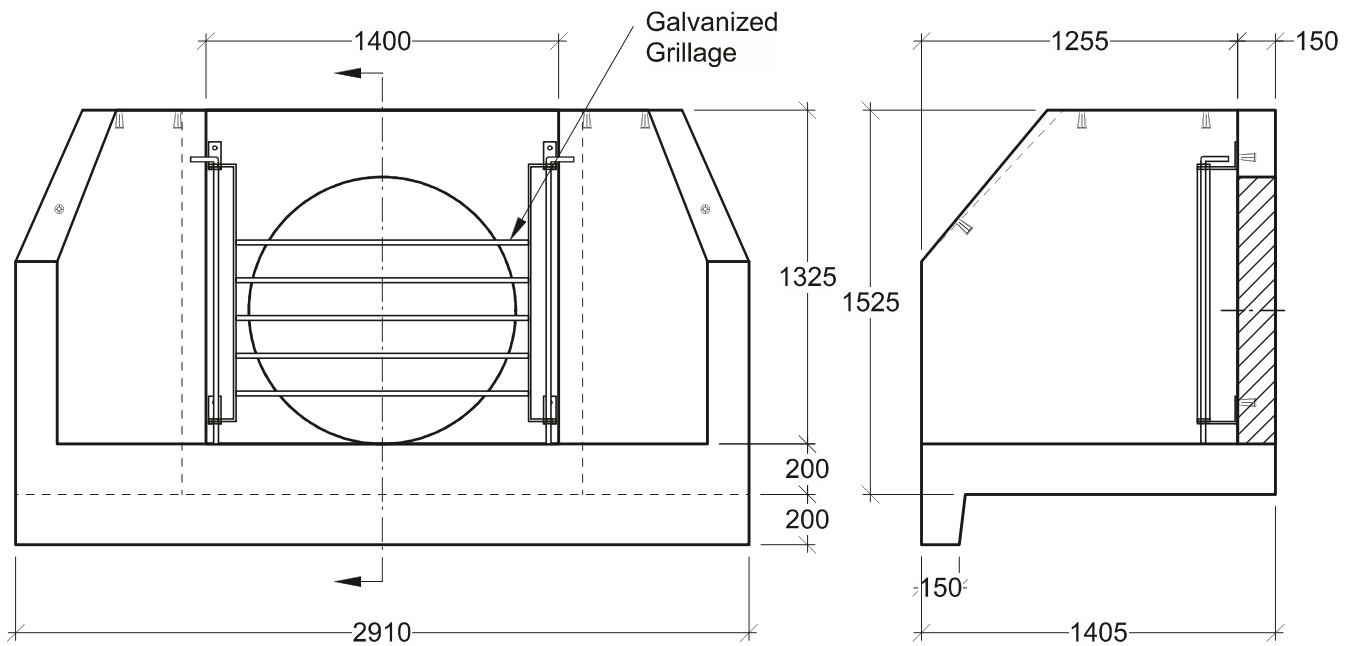


Plan View



Front View

Section

General Notes:

- Product manufactured in accordance with CSA A23.4
- Custom Pipe Openings Available
- Lift Points Provided (See Shop Drawing for Quantity & Locations)
- Steel Products manufactured under CSA W47.1 in accordance to CSA W59
- Site Installation, Backfilling & Suitability for Use is the responsibility of others



19060 - 54th Avenue
Surrey, B.C. V3S 8E5

Tel (604) 576-1808
info@aeconcrete.com

14-15 Outlet
(For up to 750mmØ RCP)

Headwall: 8,630 lbs / 3,915 kgs
Grillage: 84 lbs / 38 kgs

Scale: 1:30 mm

Rev: 15Jul15

Dwg#: **HD14-20-ZZZZ-C**