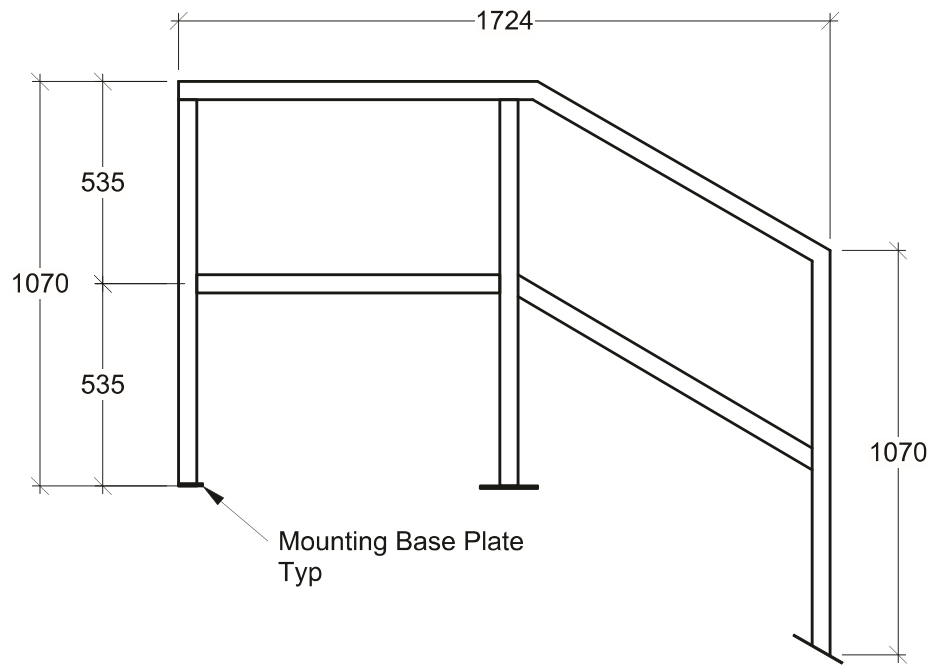


Plan View



Side View

General Notes:

- Steel Products manufactured under CSA W47.1 in accordance to CSA W59
- Site Installation is the responsibility of others



19060 - 54th Avenue
Surrey, B.C. V3S 8E5

Tel (604) 576-1808
info@aeconcrete.com

Headwall Handrail

(11-13, 14-15, 16-20)

Scale: 1:20 mm

Rev: 12Jun13

Dwg#: **HDZZ-GH-HAND-C**