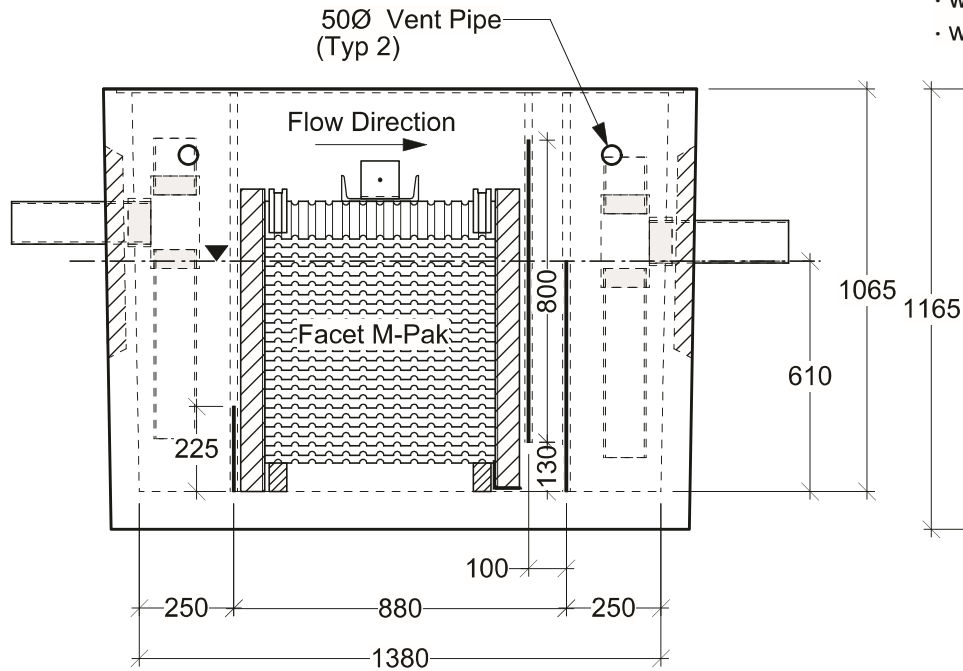
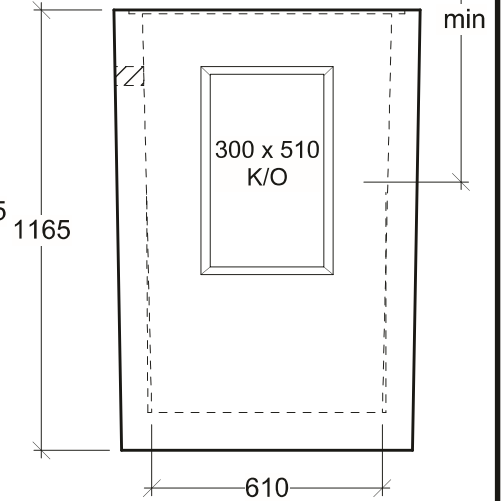


Plan View



Side View

Typical Minimum Depth ←
 from Grade to Outlet Invert
 · with MH Castings = 835 mm
 · with Steel Lid = 455 mm



End View

General Notes:

- Product manufactured in accordance with CSA A23.4
- Lift Points Provided (See Shop Drawing for Quantity & Locations)
- Designed for Roadway Use - H-20 Traffic Loading
- Installation of T-Pipe Assemblies Recommended - Installed by Others
- Standard Mild Steel Baffles - Optional Galvanized Baffles
- Site Installation, Backfilling & Suitability for Use is the responsibility of others



19060 - 54th Avenue
 Surrey, B.C. V3S 8E5

Tel (604) 576-1808
 info@aeconcrete.com

2454 Oil Separator (CPS)

Oil Sep: 2,610 lbs / 1,190 kgs

Scale: 1:20 mm

Rev: 28Jun08

Dwg#: **24OI-20-1420-CPS-C**