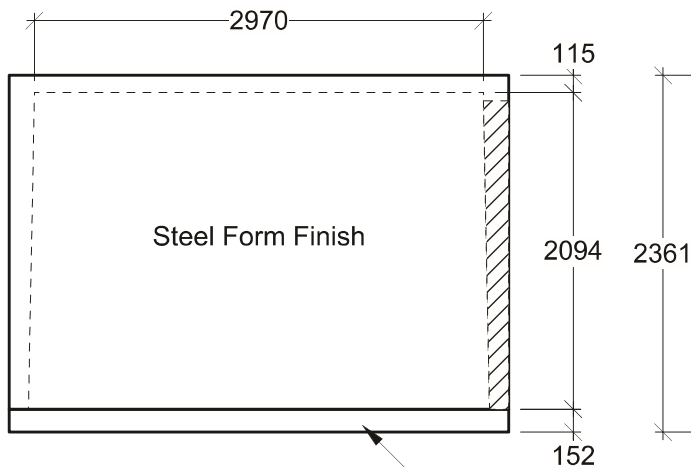
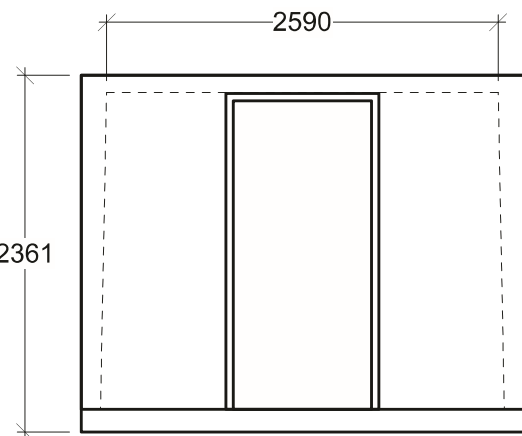


Plan View



Side View

Armoured
Bottom Perimeter



End View

General Notes:

- Product manufactured in accordance with CSA A23.4
- Lift Points Provided (See Shop Drawing for Quantity & Locations)
- Site Installation & Suitability for Use is the responsibility of others

- Roof Coverings and Eaves Trough Available.
- Standard Simulated Wood Finish or a Variety of Other Exterior Finishes Available.
- Clear Acrylic Sealer - Exterior.
- Multiple K/O (Window and Door) Locations Available. (TBC)
- Optional Interior Finishes Available.
- Custom Heights Available.



19060 - 54th Avenue
Surrey, B.C. V3S 8E5

Tel (604) 576-1808
info@aeconcrete.com

3262QS Vault Building

Vault: 34,700 lbs / 15,740 kgs

Scale: 1:50 mm

Rev: 22Dec08

Dwg#: **3262QS-20-ZZZZ-C**