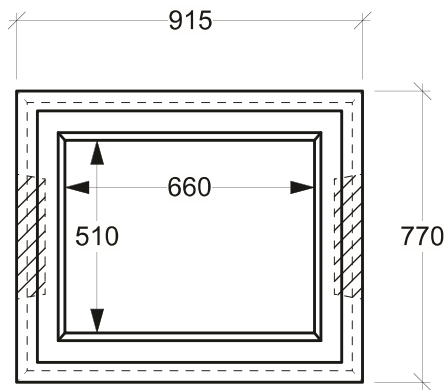
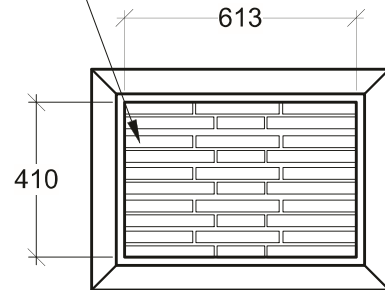


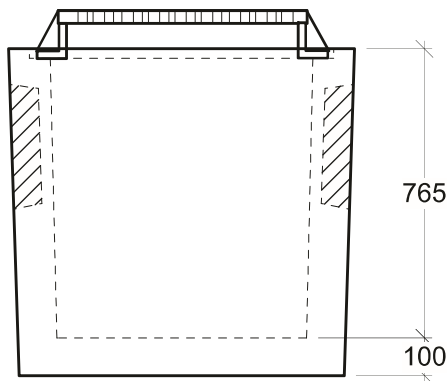
B-39/39A  
Cast Iron Frame and Grate



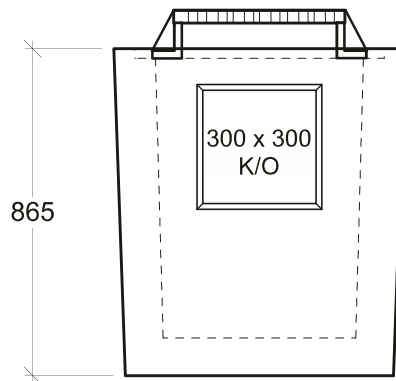
**Plan View - Sump**



**Plan View - Grate**



**Side View**



**End View**

**General Notes:**

- Product manufactured in accordance with CSA A23.4
- Lift Points Provided (See Shop Drawing for Quantity & Locations)
- Designed for Boulevard (Off-Road) Use - H-20 Static Loading
- Site Installation, Backfilling & Suitability for Use is the responsibility of others



19060 - 54th Avenue  
Surrey, B.C. V3S 8E5

Tel (604) 576-1808  
info@aeconcrete.com

**Drainage Sump w/ Cast Iron Frame and Grate**

Sump: 1,555 lbs / 710 kgs  
Grate & Frame: 210 lbs / 95 kgs

Scale: 1:20 mm

Rev: 28Jun08

Dwg#: **SVVZ-NC-SUMP-C**