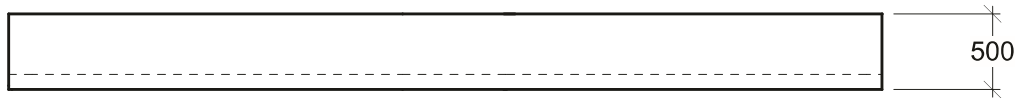


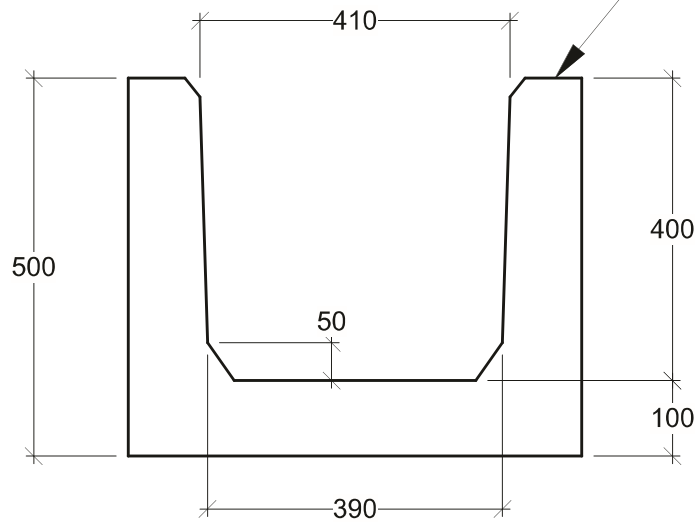
**Plan View**



**Side View**

**Lid Options:**

- Roof Slabs, Steel Covers, or Grating
- Recessed or Top Mounted to Suit Loading



**Section**  
Scale: 1:10

**General Notes:**

- Product manufactured in accordance with CSA A23.4
- Lift Points Provided (See Shop Drawing for Quantity & Locations)
- Site Installation, Backfilling & Suitability for Use is the responsibility of others



19060 - 54th Avenue  
Surrey, B.C. V3S 8E5

Tel (604) 576-1808  
info@aeconcrete.com

**Concrete Trench**

Trench: 4,450 lbs / 2,025 kgs

Scale: 1:50 mm

Rev: 28Jun08

Dwg#: **TRCH-20-1616-C**