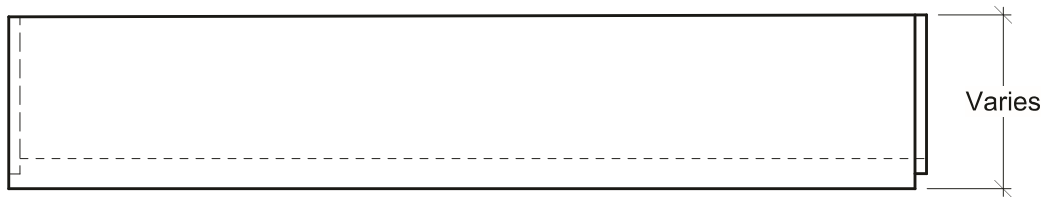


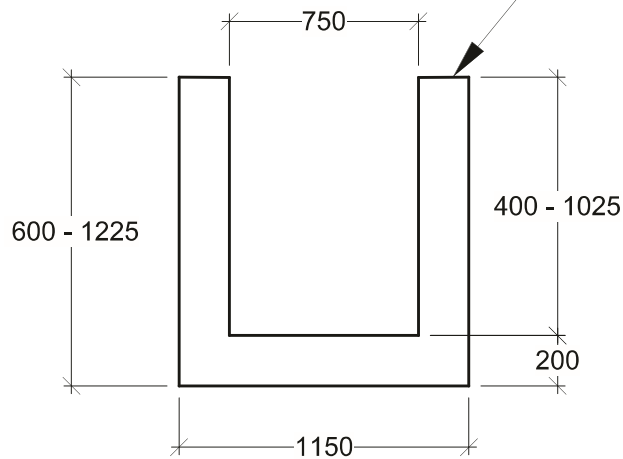
Plan View



Side View

Lid Options:

- Roof Slabs, Steel Covers, or Grating
- Recessed or Top Mounted to Suit Loading



Section

Scale: 1:30

General Notes:

- Product manufactured in accordance with CSA A23.4
- Lift Points Provided (See Shop Drawing for Quantity & Locations)
- Site Installation, Backfilling & Suitability for Use is the responsibility of others



19060 - 54th Avenue
Surrey, B.C. V3S 8E5

Tel (604) 576-1808
info@aeconcrete.com

Concrete Trench

Trench: 13,000 lbs - 21,350 lbs /
5,900 kgs - 9,700 kgs

Scale: 1:50 mm

Rev: 01May14

Dwg#: **TRCH-20-0710-C**