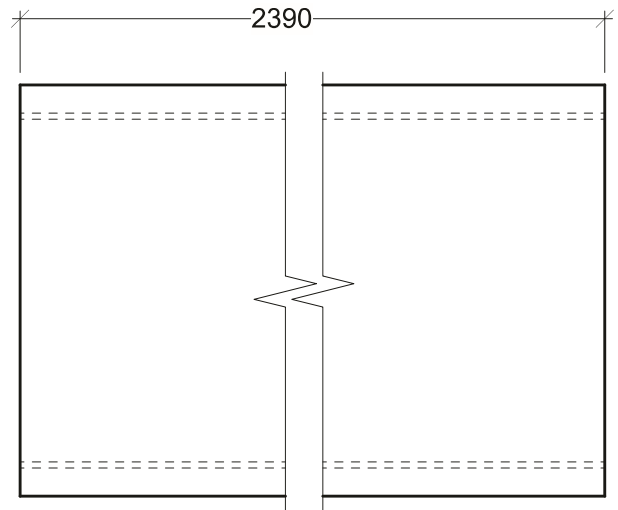


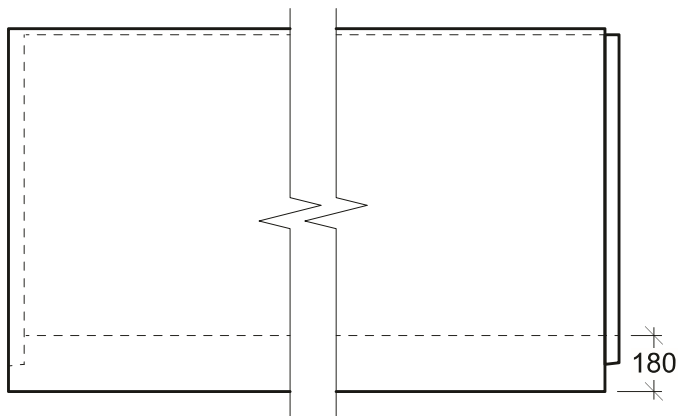
**Plan View - Trench**



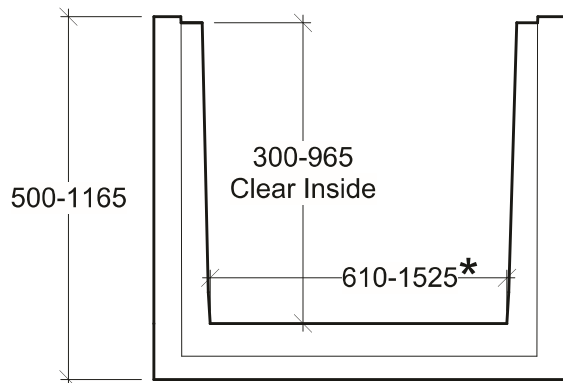
**Plan View - Cover**

**Lid Options:**

- Roof Slabs, Steel Covers, or Grating
- Super Imposed or Flush to Suit Loading



**Side View**



**\* Additional Widths Available**  
(610, 760, 1220, 1525, or to Suit)

**End View**

**General Notes:**

- Product manufactured in accordance with CSA A23.4
- Lift Points Provided (See Shop Drawing for Quantity & Locations)
- Typically Designed for 300 psf (14.4 kpa) or H-20 Traffic Loading.
- Site Installation, Backfilling & Suitability for Use is the responsibility of others



19060 - 54th Avenue  
Surrey, B.C. V3S 8E5

Tel (604) 576-1808  
info@aeconcrete.com

**Concrete Trench 1010 (Super Imposed Cover)**

Trench: Subject to Height & Width  
Cover: Subject to Height & Width

Scale: N.T.S.

Page: 1/1

Dwg#: **TRCH-NB-1010-C**