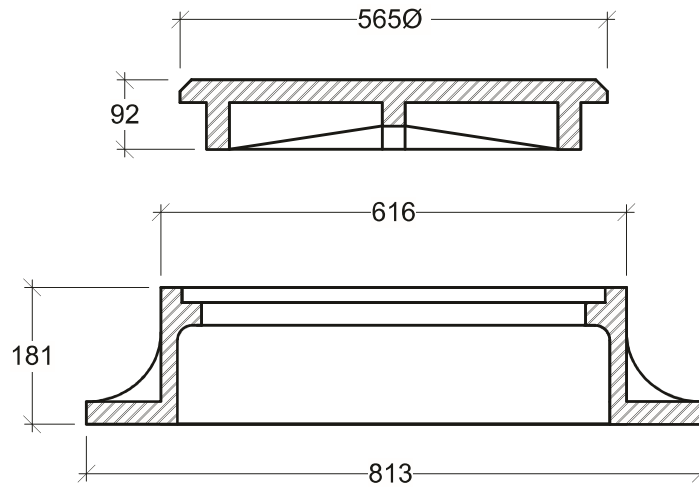


Plan View - Frame



Section

General Notes:

- Suitable for installation in roadways
- Site installation is the responsibility of others
- Custom marking of cover available (Electrical, Water, etc.)
- Available in Ductile Iron



19060 - 54th Avenue
Surrey, B.C. V3S 8E5

Tel (604) 576-1808
info@aeconcrete.com

C18 Cast Iron Frame and Cover

Frame: 240 lbs / 109 kgs
Cover: 140 lbs / 63 kgs

Scale: 1:10 mm

Rev: 28Jun08

Dwg#: **MHFC-96-0610-C**