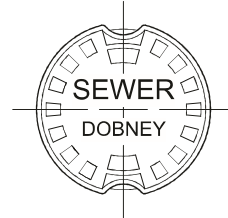
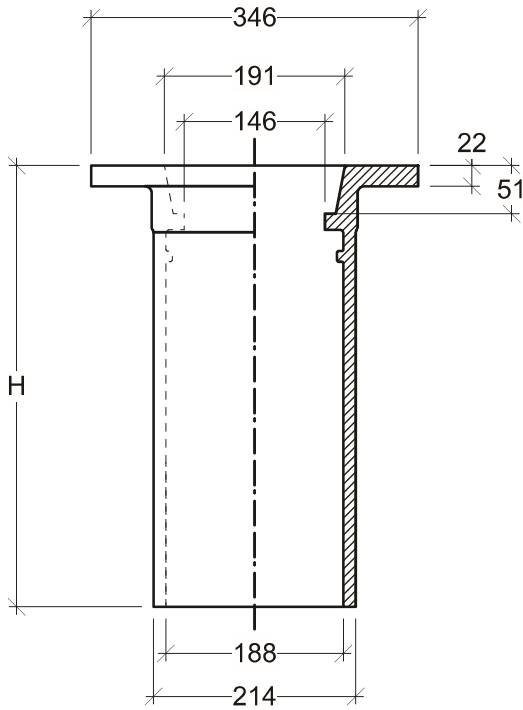


Plan - Valve Box

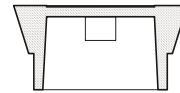


Plan - Lid

Wgt: 15 lbs / 7 kgs



Elevation / Section



Section

H-20 Traffic Load Rated

Lid Marking: "SEWER" or "WATER" or
"OBSERV'N MONITOR WELL"



19060 - 54th Avenue
Surrey, B.C. V3S 8E5

Tel (604) 576-1808
info@aeconcrete.com

MR-6 Valve Box

H = 467 (18-3/8"): 80 lbs / 36 kgs
H = 314 (12-3/8"): 55 lbs / 25 kgs

Scale: NTS

Rev: 28Jun08

Dwg#: **MHFR-93-MR6-C**