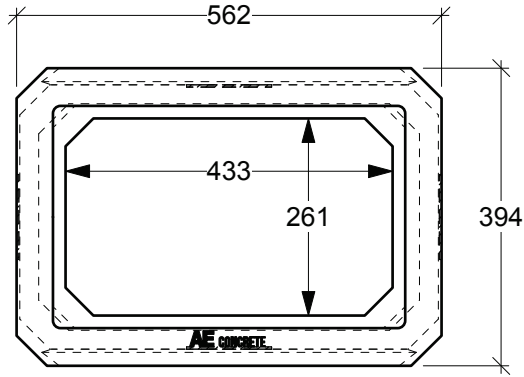
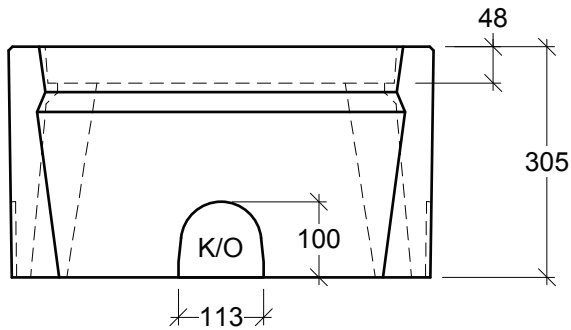


Service Box Listings

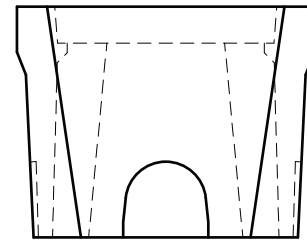
<u>Drawing Number</u>	<u>Item Description</u>	<u>Product Size</u> (Length X Width X Depth in mm)
B937-00-0305-C	B937 Top / Extension 305 High	433 x 261 x 305 i.d.
B937-00-0150-C	B937 Top / Extension 152 High	433 x 261 x 152 i.d.
B937-MR-0305-C	B937 Maple Ridge Watermeter Bottom Section	433 x 261 x 305 i.d.
B937-ZZ-LIDS-C	B937 Cast Iron & Steel Covers	457 x 285 x 44
B937-N3-LREC-C	B937 Box w/ Tamper Proof Lid Options	433 x 261 x 305 i.d.
T266-N3-ZZZZ-C	T266 Service Box - Complete Available as Individual Sections (2 Sections + Base + Lid)	718 x 438 x 750 i.d.
T266-00-0150-C	T266 Top / Extension 150 High	712 x 432 x 200 i.d.
5686-N3-ZZZZ-C	5686 Service Box - Complete Available as Individual Sections (2 Sections + Base + Lid)	860 x 560 x 870 i.d.
5686-25-0375-C	5686 Watermeter Service Box - Complete Available as Individual Sections (2 Sections + Base + Lid)	860 x 560 x 870 i.d.
5686-N3-SUPR-C	5686 Superimposed Service Box - Complete Available as Individual Sections. (2 Sections + Base + Frame + Lid)	860 x 560 x 870 i.d.
5686-00-0150-C	5686 Top / Extension 150 High	860 x 560 x 180 i.d.



Plan View



Side View



End View

General Notes:

- Products manufactured in accordance with CSA A23.4
- Designed for Boulevard (Off-Road) Use - H-20 Static Loading
- Site Installation, Backfilling & Suitability for Use is the responsibility of others



19060 - 54th Avenue
Surrey, B.C. V3S 8E5

Tel (604) 576-1808
info@aeconcrete.com

B937 Top / Extension 305 High

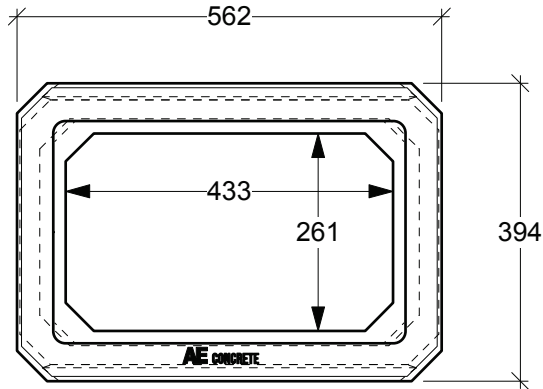
(#37 & B-9 1/2)

Top/Ext: 105 lbs / 50 kgs

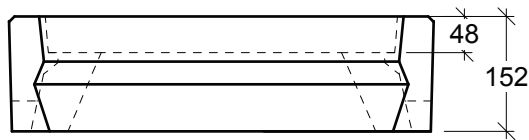
Scale: 1:10 mm

Rev: 28Jun08

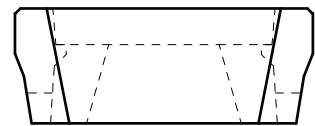
Dwg#: **B937-00-0305-C**



Plan View



Side View



End View

General Notes:

- Products manufactured in accordance with CSA A23.4
- Designed for Boulevard (Off-Road) Use - H-20 Static Loading
- Site Installation, Backfilling & Suitability for Use is the responsibility of others



19060 - 54th Avenue
Surrey, B.C. V3S 8E5

Tel (604) 576-1808
info@aeconcrete.com

B937 Top / Extension 152 High

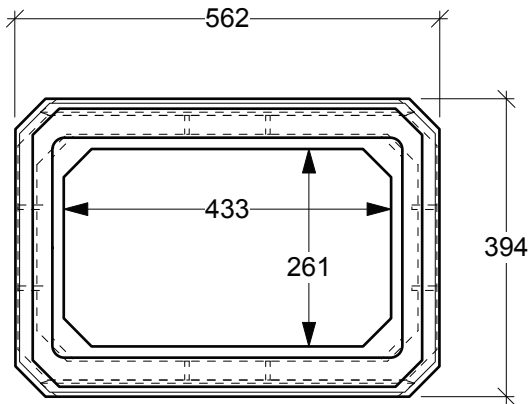
(#37 & B-9 1/2)

Top/Ext: 60 lbs / 27 kgs

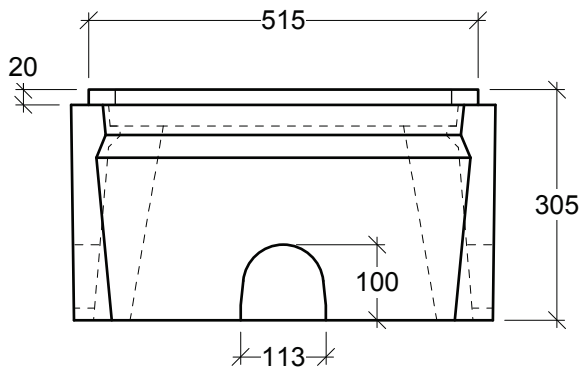
Scale: 1:10 mm

Rev: 28Jun08

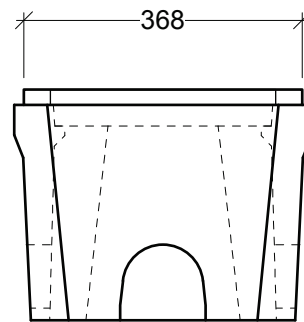
Dwg#: **B937-00-0150-C**



Plan View



Side View



End View

General Notes:

- Products manufactured in accordance with CSA A23.4
- Designed for Boulevard (Off-Road) Use - H-20 Static Loading
- Site Installation, Backfilling & Suitability for Use is the responsibility of others



19060 - 54th Avenue
Surrey, B.C. V3S 8E5

Tel (604) 576-1808
info@aeconcrete.com

B937 Maple Ridge Watermeter Bottom Section

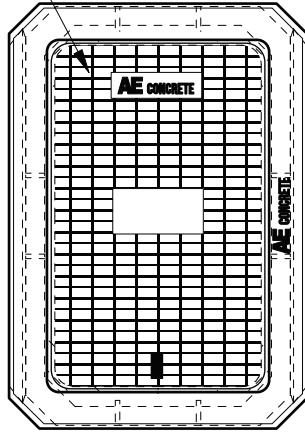
Box: 105 lbs / 50 kgs

Scale: 1:10 mm

Rev: 28Jun08

Dwg#: **B937-MR-0305-C**

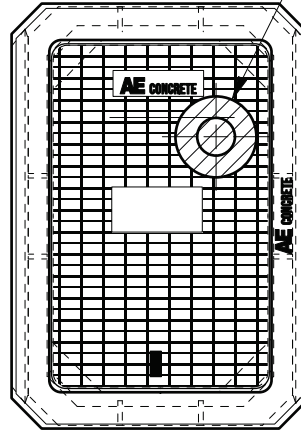
Ground Hole Location on Underside



Cast Iron Cover

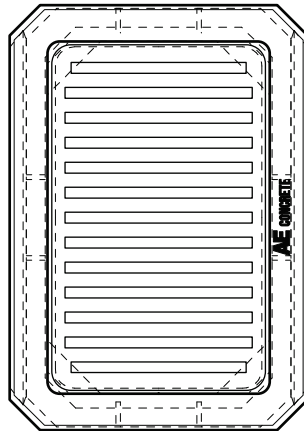
- Available plain or marked. Markings: Sewer, Electric Power or Water Meter.

Option:
Remote Reader Recess or Straight Thru Hole

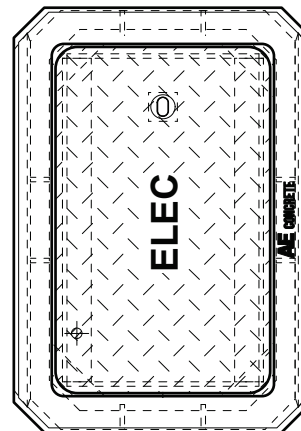


Cast Iron Cover c/w Hole for Remote Reader

- Available plain or marked as Water Meter.



Cast Iron Grate



Steel Checker Plate Cover

Painted Black, Boltdown, Steel Checker Plate Lid
Options: Galvanizing, Padlock Recess
 Remote Reader Holes
 Weld Marking e.g. "ELEC"

General Notes:

- Products manufactured in accordance with CSA A23.4
- Designed for Boulevard (Off-Road) Use - H-20 Static Loading
- Steel Products manufactured under CSA W47.1 in accordance to CSA W59
- Site Installation, Backfilling & Suitability for Use is the responsibility of others



19060 - 54th Avenue
 Surrey, B.C. V3S 8E5

Tel (604) 576-1808
 info@aeconcrete.com

B937 Cast Iron & Steel Covers

Cast Iron: 27 lbs / 12 kgs
 Steel Checker Plate: 30 lbs / 14 kgs

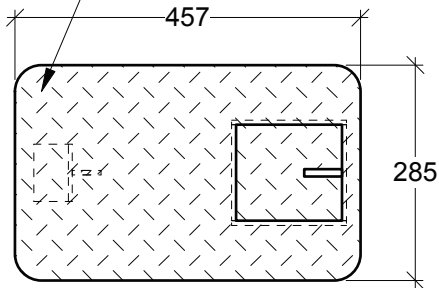
Scale: 1:10 mm

Rev: 28Jun08

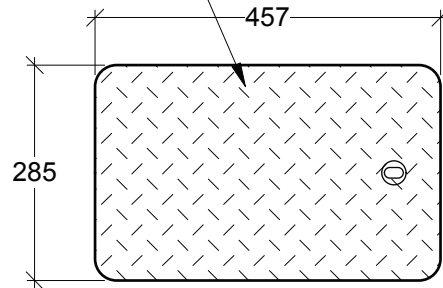
Dwg#: **B937-ZZ-LIDS-C**

Painted Black, Bolt-down, Steel Checker Plate Lids

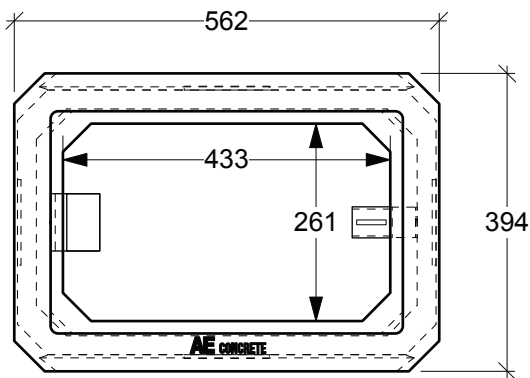
Options: Galvanizing, Padlock Recess
Remote Reader Holes
Weld Marking e.g. "ELEC"



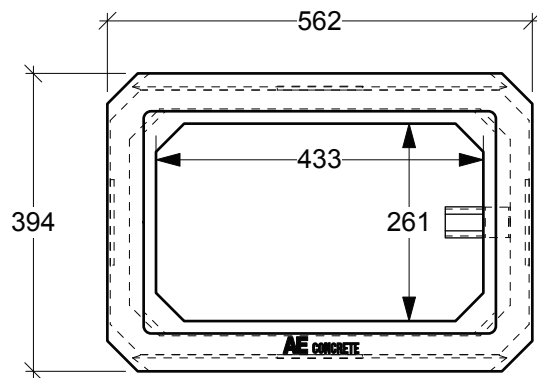
Plan View
Steel Lid



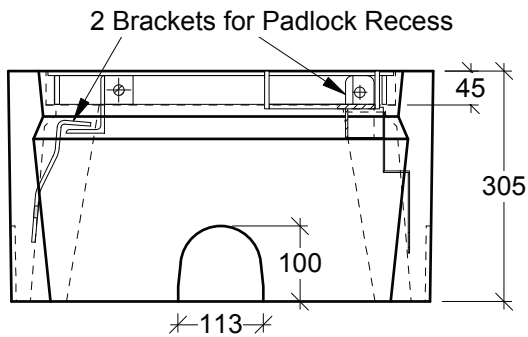
Plan View
Steel Lid



Plan View

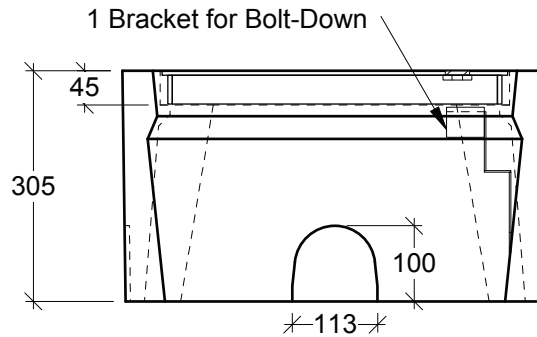


Plan View



Side View

Padlock Recess



Side View

Bolt Down

General Notes:

- Products manufactured in accordance with CSA A23.4
- Designed for Boulevard (Off-Road) Use - H-20 Static Loading
- Steel Products manufactured under CSA W47.1 in accordance to CSA W59
- Site Installation, Backfilling & Suitability for Use is the responsibility of others.



19060 - 54th Avenue
Surrey, B.C. V3S 8E5

Tel (604) 576-1808
info@aeconcrete.com

B937 Box w/ Tamper Proof Lid Options

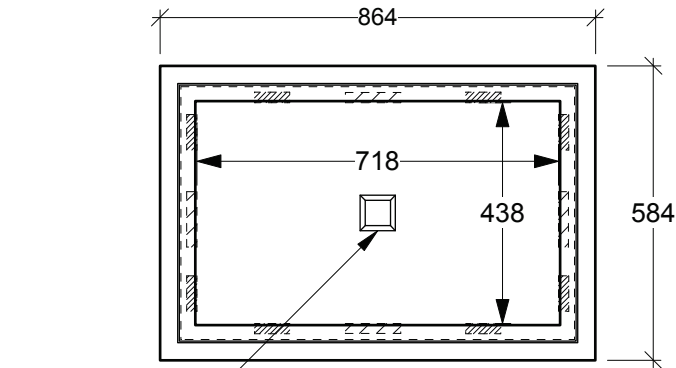
Lid: 20 lbs / 10 kgs
Box: 105 lbs / 50 kgs
Total: 125 lbs / 60 kgs

Scale: 1:10 mm

Rev: 28Jun08

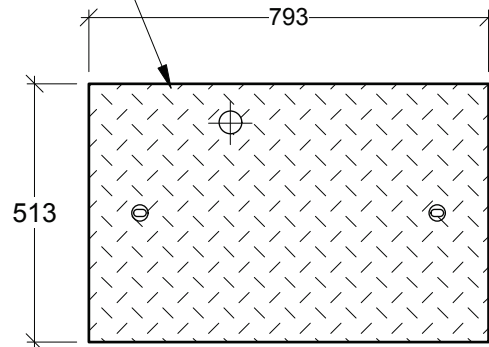
Dwg#: **B937-N3-LREC-C**

Painted Black, Bolt-down, Steel Checker Plate Lids
Options: Galvanizing, Padlock Recess
 Remote Reader Holes
 Weld Marking e.g. "ELEC"

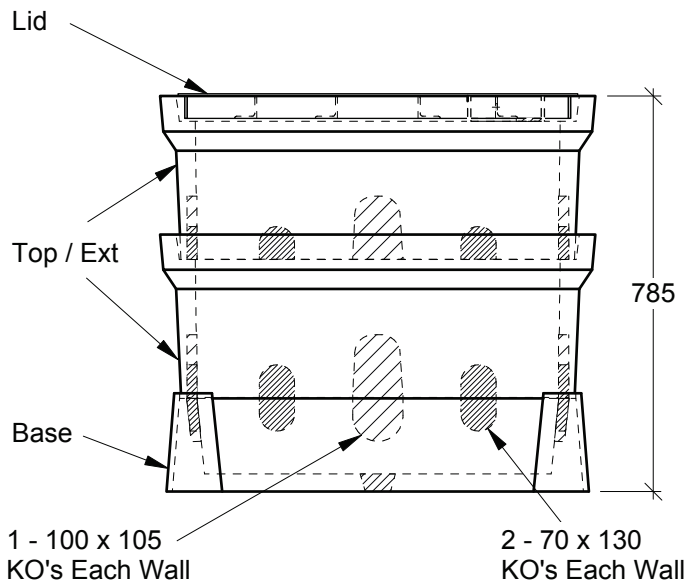


50sq Drain Hole

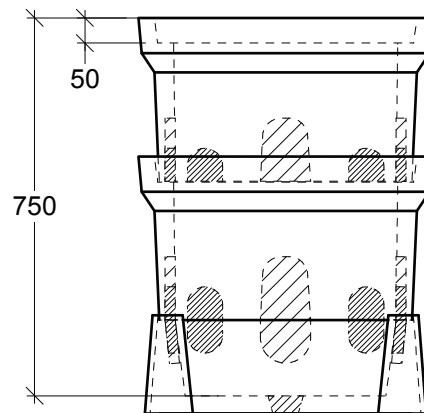
Plan View



Plan View - Lid



Side View



End View

General Notes:

- Products manufactured in accordance with CSA A23.4
- Designed for Boulevard (Off-Road) Use - H-20 Static Loading
- Steel Products manufactured under CSA W47.1 in accordance to CSA W59
- Site Installation, Backfilling & Suitability for Use is the responsibility of others.



19060 - 54th Avenue
 Surrey, B.C. V3S 8E5

Tel (604) 576-1808
 info@aeconcrete.com

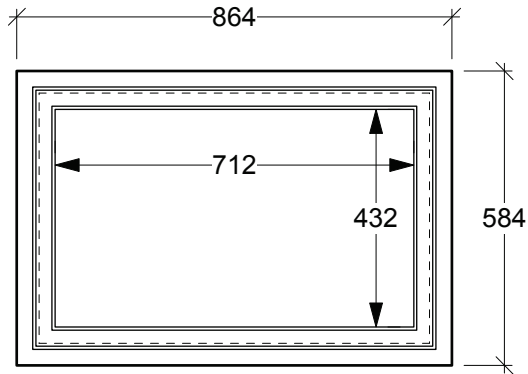
T266 Service Box - Complete

Lid: 65 lbs / 30 kgs
 Top/Ext: 140 lbs / 65 kgs
 Base: 170 lbs / 30 kgs Total: 515 lbs / 240 kgs

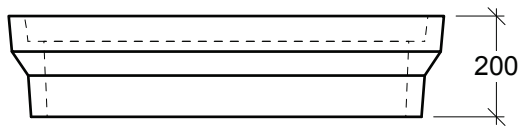
Scale: 1:15 mm

Rev: 28Jun08

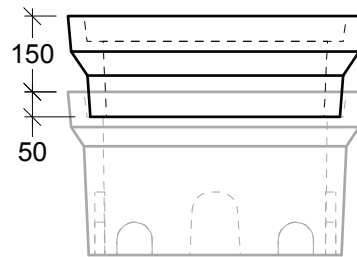
Dwg#: **T266-N3-ZZZZ-C**



Plan View



Side View



End View

General Notes:

- Products manufactured in accordance with CSA A23.4
- Designed for Boulevard (Off-Road) Use - H-20 Static Loading
- Site Installation, Backfilling & Suitability for Use is the responsibility of others



19060 - 54th Avenue
Surrey, B.C. V3S 8E5

Tel (604) 576-1808
info@aeconcrete.com

T266 Top / Extension 150 High

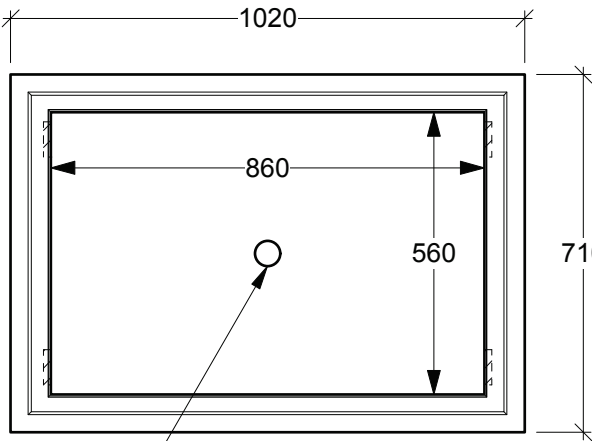
Top/Ext: 70 lbs / 35 kgs

Scale: 1:15 mm

Rev: 28Jun08

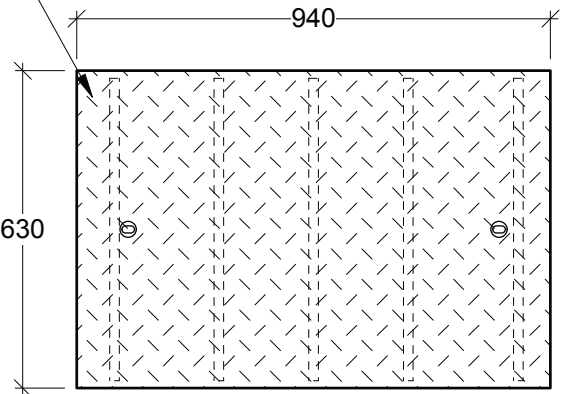
Dwg#: **T266-00-0150-C**

Painted Black, Boltdown, Steel Checker Plate Lids
Options: Galvanizing, Padlock Recess
 Remote Reader Holes
 Weld Marking e.g. "ELEC"

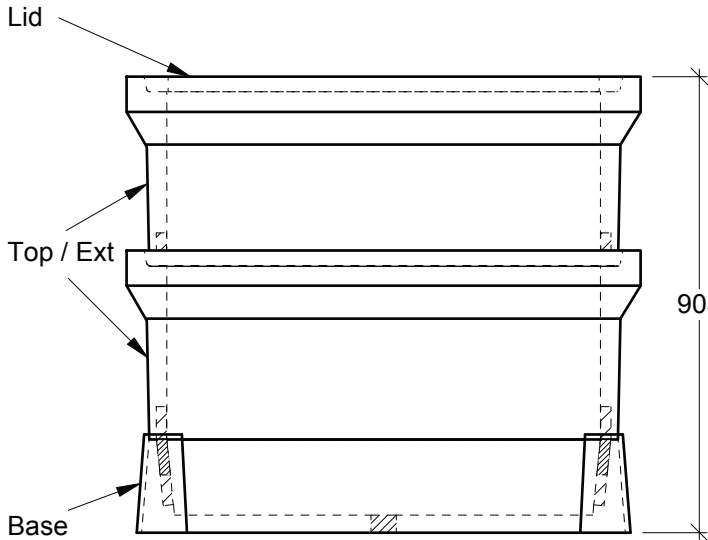


50Ø Drain Hole
 in Center

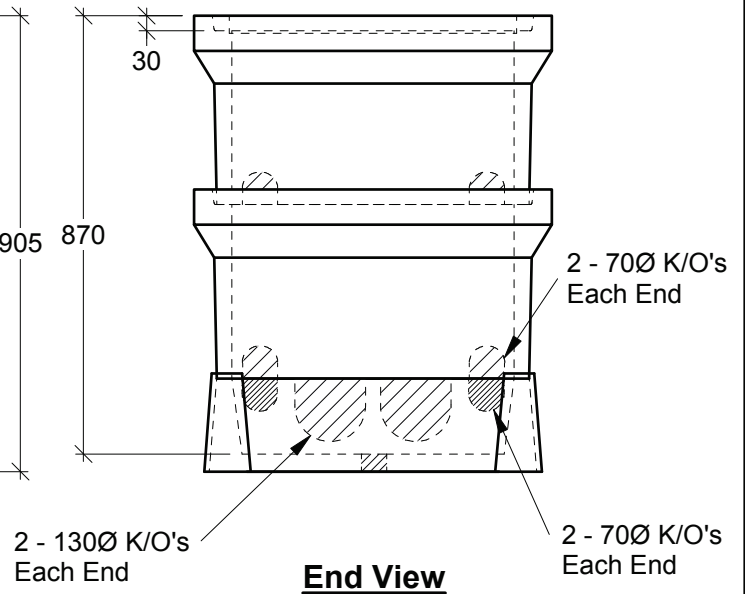
Plan View



Plan View - Lid



Side View



End View

General Notes:

- Products manufactured in accordance with CSA A23.4
- Designed for Boulevard (Off-Road) Use - H-20 Static Loading
- Steel Products manufactured under CSA W47.1 in accordance to CSA W59
- Site Installation, Backfilling & Suitability for Use is the responsibility of others.



19060 - 54th Avenue
 Surrey, B.C. V3S 8E5

Tel (604) 576-1808
 info@aeconcrete.com

5686 Service Box - Complete

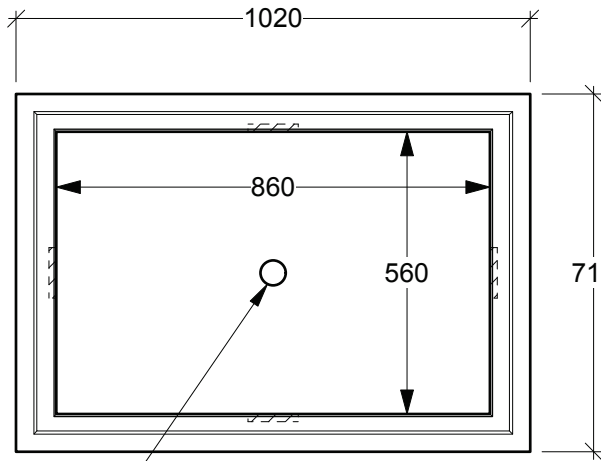
Lid: 100 lbs / 45 kgs
 Top/Ext: 195 lbs / 90 kgs
 Base: 175 lbs / 80 kgs Total: 665 lbs / 305 kgs

Scale: 1:15 mm

Rev: 28Jun08

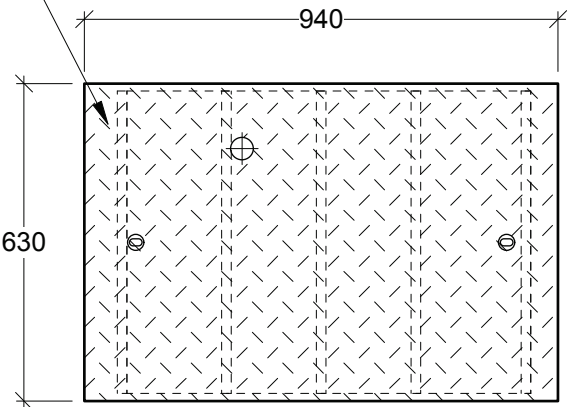
Dwg#: **5686-N3-ZZZZ-C**

Painted Black, Bolt-down, Steel Checker Plate Lids
Options: Galvanizing, Padlock Recess
 Remote Reader Holes
 Weld Marking e.g. "ELEC"

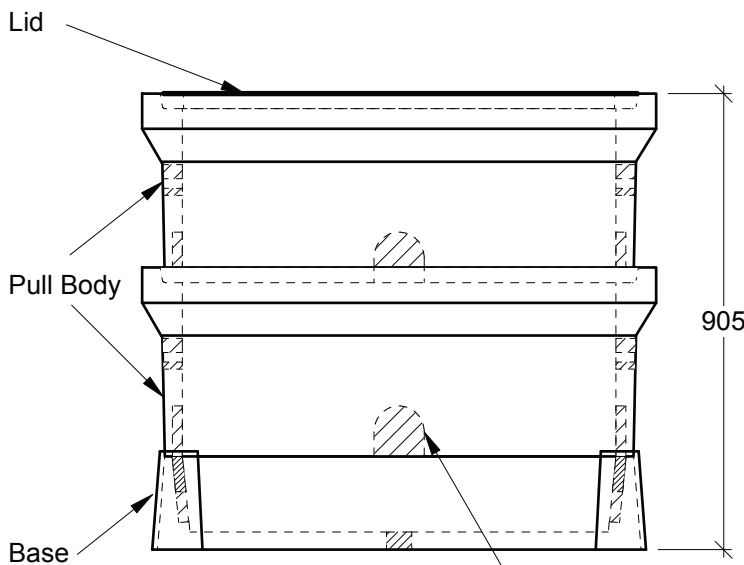


50Ø Drain Hole
 in Center

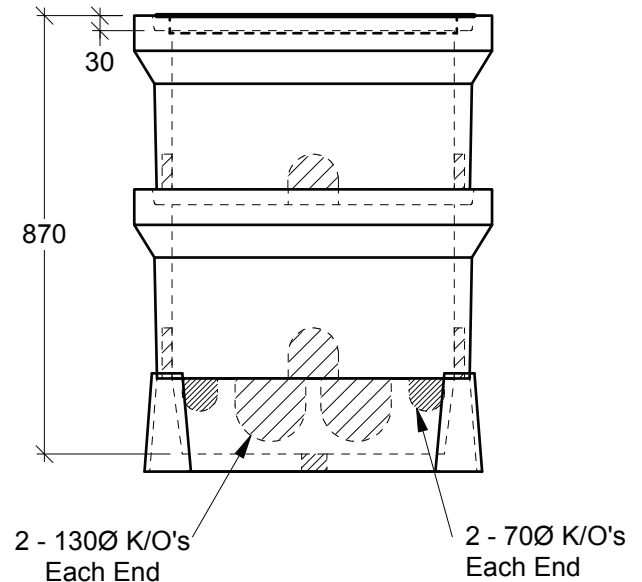
Plan View



Plan View - Lid



Side View



End View

General Notes:

- Products manufactured in accordance with CSA A23.4
- Designed for Boulevard (Off-Road) Use - H-20 Static Loading
- Steel Products manufactured under CSA W47.1 in accordance to CSA W59
- Site Installation, Backfilling & Suitability for Use is the responsibility of others



19060 - 54th Avenue
 Surrey, B.C. V3S 8E5

Tel (604) 576-1808
 info@aeconcrete.com

5686 Watermeter Service Box - Complete

Lid: 100 lbs / 45 kgs
 Pull Body: 195 lbs / 90 kgs
 Base: 175 lbs / 80 kgs Total: 665 lbs / 305 kgs

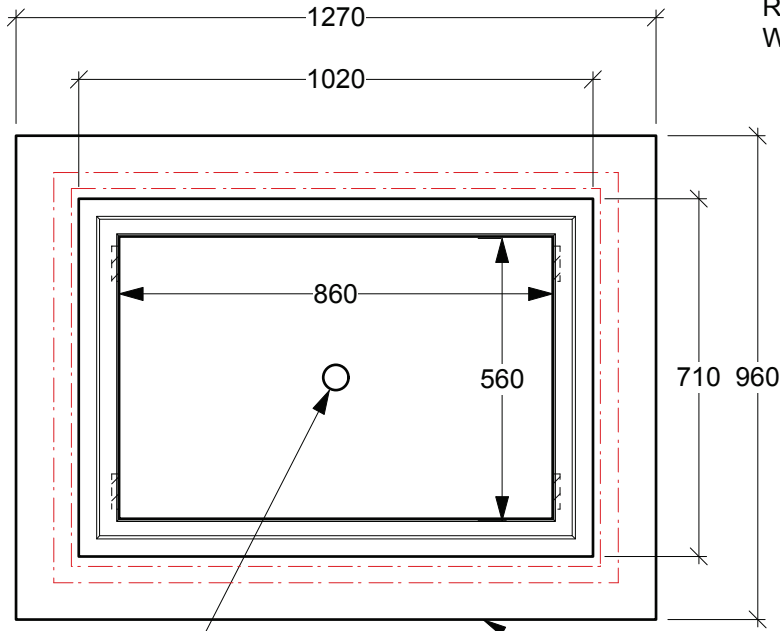
Scale: 1:15 mm

Rev: 28Jun08

Dwg#: **5686-25-0375-C**

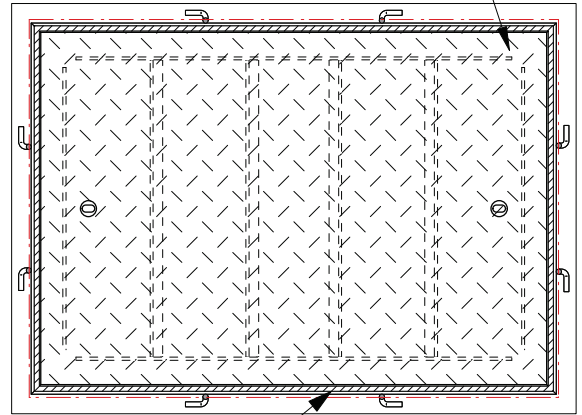
Painted Black, Boltdown, Steel Checker Plate Lids

Options: Galvanizing, Padlock Recess
Remote Reader Holes
Weld Marking e.g. "ELEC"



50Ø Drain Hole
in Center

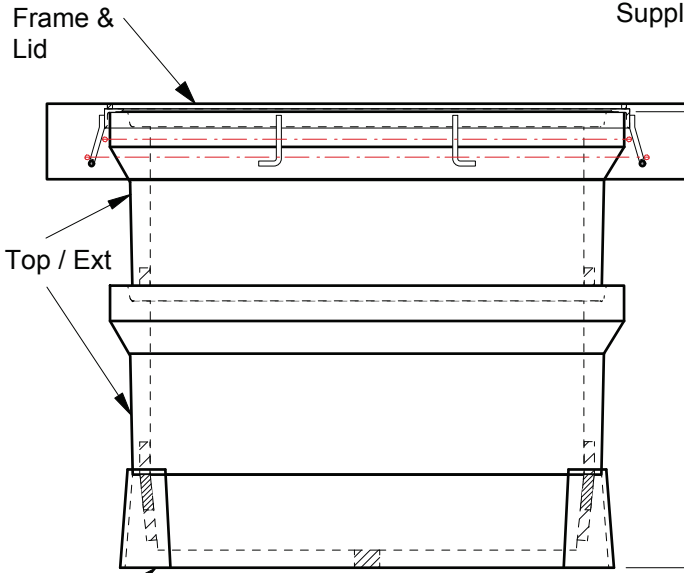
Plan View



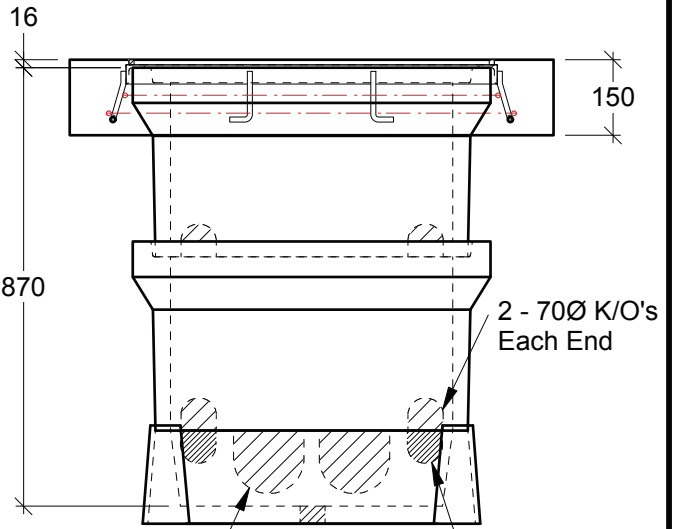
Galvanized
Frame

**Plan View
Steel Frame & Lid**

Note:
Concrete Perimeter
to be Cast-in Place
by Others
2-10M Rebar Bands
Supplied w/ Frame



Side View



2 - 130Ø K/O's
Each End

End View

2 - 70Ø K/O's
Each End

2 - 70Ø K/O's
Each End

General Notes:

- Products manufactured in accordance with CSA A23.4
- Designed for Boulevard (Off-Road) Use - Occasional H-20 Loading
- Steel Products manufactured under CSA W47.1 in accordance to CSA W59
- Site Installation, Backfilling & Suitability for Use is the responsibility of others

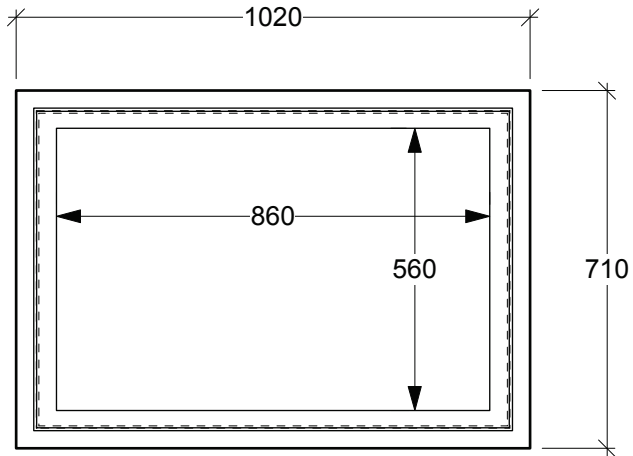


19060 - 54th Avenue
Surrey, B.C. V3S 8E5

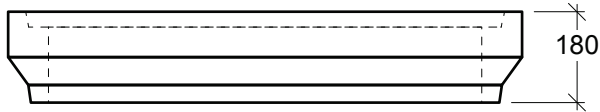
Tel (604) 576-1808
info@aeconcrete.com

5686 Superimposed Service Box - Complete
(w/ Frame & Cover)

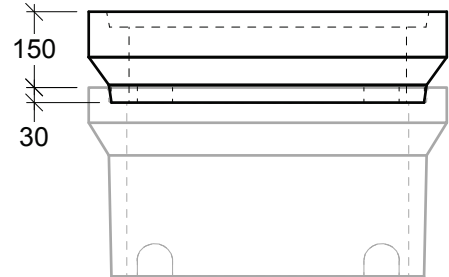
Lid: 110 lbs / 50 kgs	Base: 175 lbs / 80 kgs	Scale: 1:15 mm	Rev: 27Mar12
Frame: 35 lbs / 15 kgs	Total: 710 lbs / 325 kgs	Dwg#: 5686-N3-SUPR-C	
Top/Ext: 195 lbs / 90 kgs			



Plan View



Side View



End View

General Notes:

- Products manufactured in accordance with CSA A23.4
- Designed for Boulevard (Off-Road) Use - H-20 Static Loading
- Site Installation, Backfilling & Suitability for Use is the responsibility of others



19060 - 54th Avenue
Surrey, B.C. V3S 8E5

Tel (604) 576-1808
info@aeconcrete.com

5686 Top / Extension 150 High

Top/Ext: 130 lbs / 60 kgs

Scale: 1:15 mm

Rev: 25Jan06

Dwg#: **5686-00-0150-C**