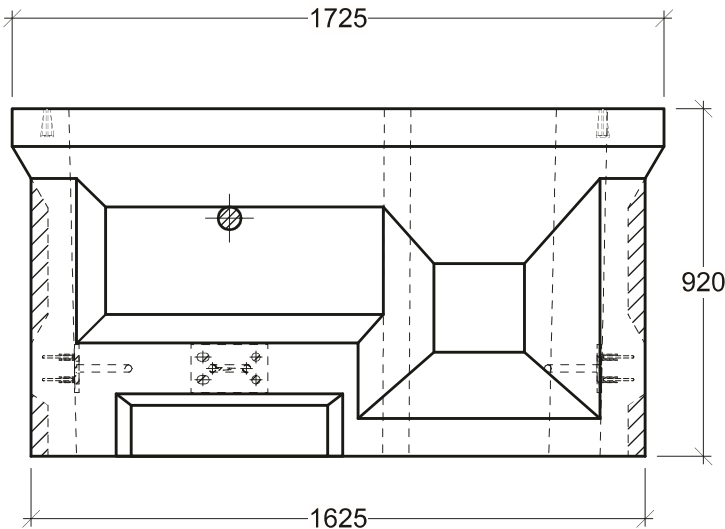


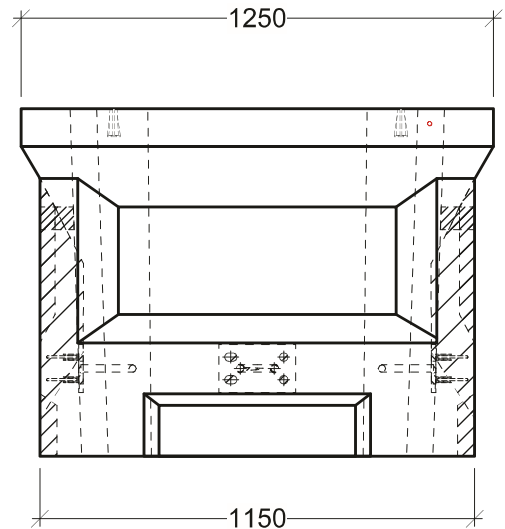
4-Hole Pulling Iron  
(Typ 4)

13Ø Inserts  
(Typ 4)

**Top View**



**Side View**



**End View**

**General Notes:**

- Product manufactured in accordance with CSA A23.4
- Lift Points Provided (See Shop Drawing for Quantity & Locations)
- Site Installation, Backfilling & Suitability for Use is the responsibility of others



19060 - 54th Avenue  
Surrey, B.C. V3S 8E5

Tel (604) 576-1808  
info@aeconcrete.com

**3 Phase Low Profile Junction Kiosk**

(BCH Stk# 400-0850)

Kiosk: 2,650 lbs / 1,210 kgs

Scale: 1:20 mm

Rev: 22Dec08

Dwg#: **HJK3-20-ZZZZ-C**