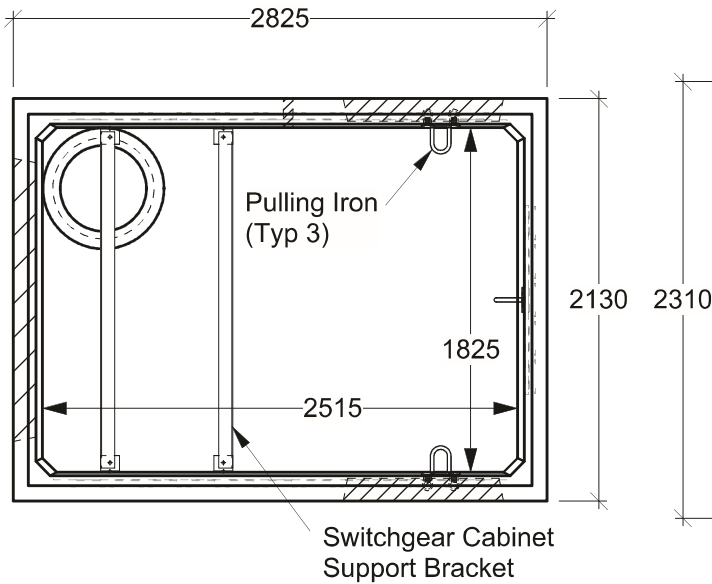
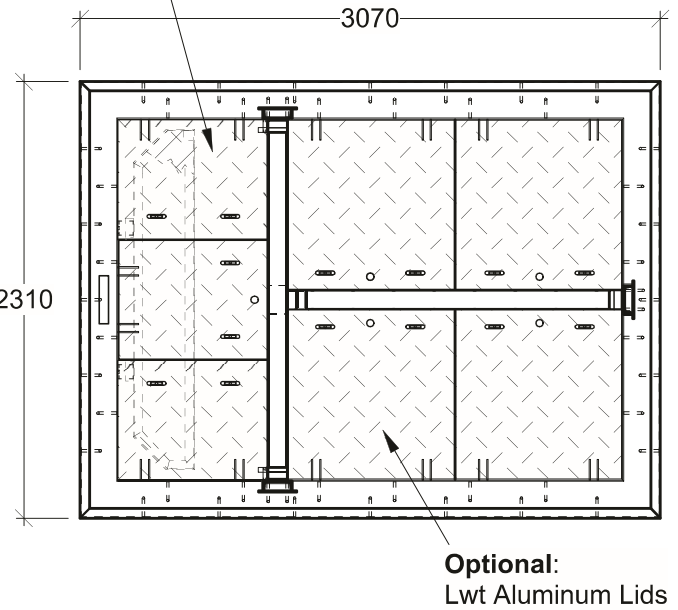


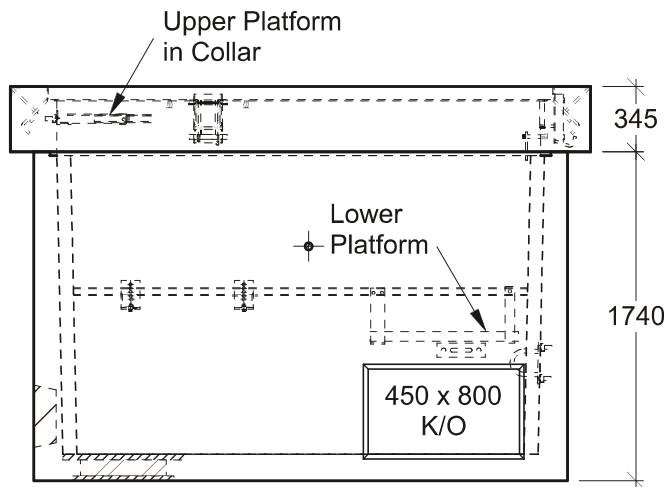
Painted Black, Bolt-down, Steel Checker Plate Lids
Options: Galvanizing, Padlock Recess
 Remote Reader Holes
 Weld Marking e.g. "ELEC"



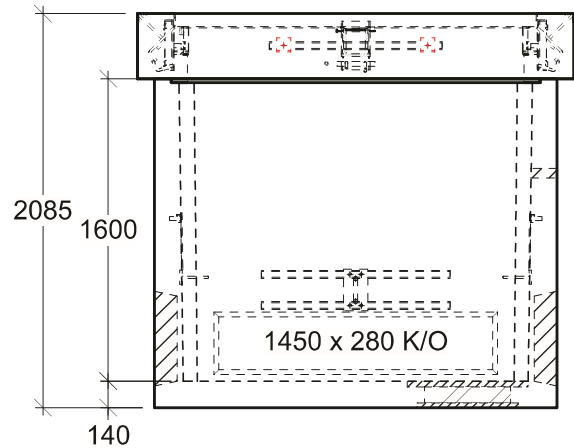
Plan View



Plan View - Collar



Side View



End View

General Notes:

- Product manufactured in accordance with CSA A23.4.
- Lift Points Provided (See Shop Drawing for Quantity & Locations).
- Steel Products manufactured under CSA W47.1 in accordance to CSA W59.
- Site Installation, Backfilling & Suitability for Use is the responsibility of others.



19060 - 54th Avenue
 Surrey, B.C. V3S 8E5

Tel (604) 576-1808
 info@aeconcrete.com

Switchgear Chamber Vista 4-Way

(BCH Stk# 350-8535)

Chamber: 15,480 lbs / 7,025 kgs
 Collar: 6,350 lbs / 2,885 kgs

Scale: 1:40 mm

Rev: 28Jun08

Dwg#: **SVHZ-N9-VIST-C**