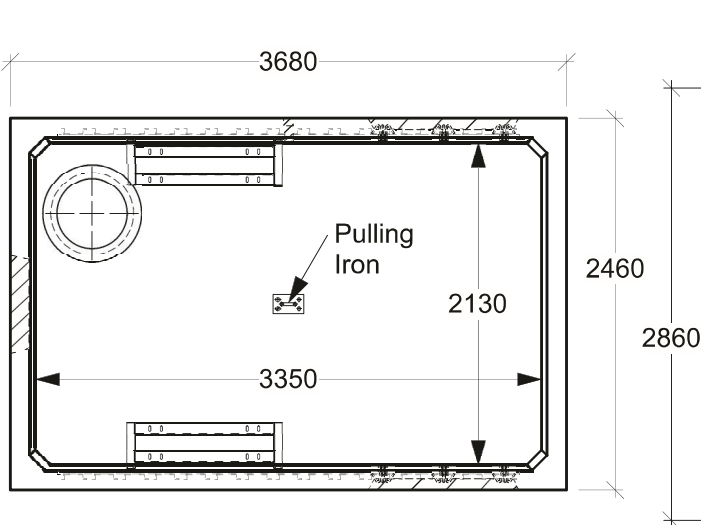
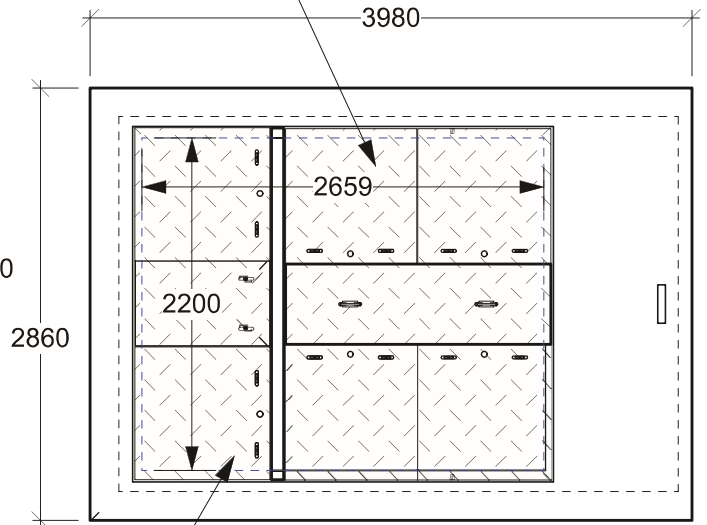


Painted Black, Bolt-down, Steel Checker Plate Lids  
**Options:** Galvanizing, Padlock Recess  
 Remote Reader Holes  
 Weld Marking e.g. "ELEC"

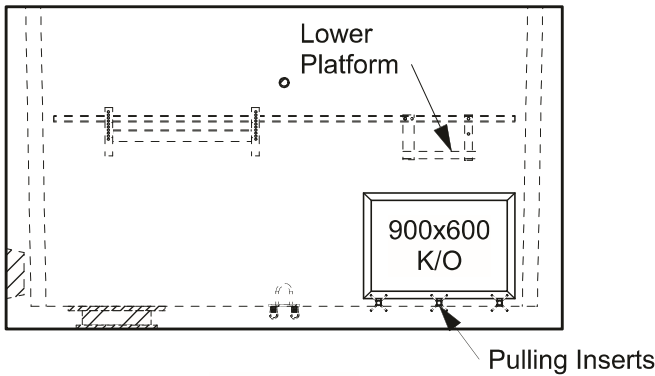
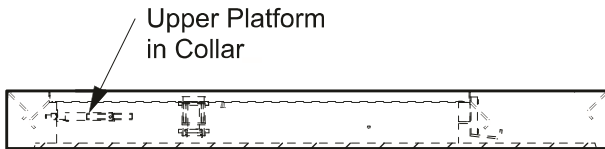


**Plan View - Chamber**

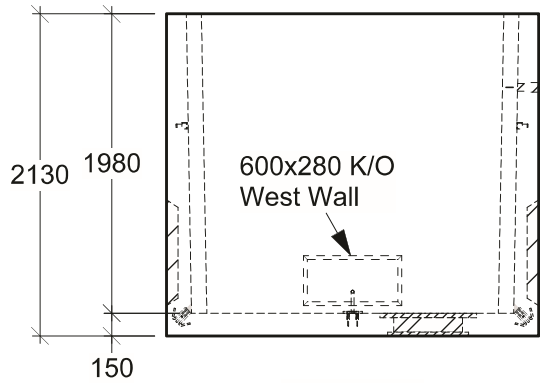
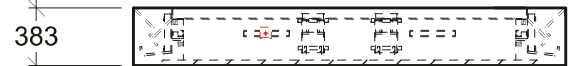


**Plan View - Roof Slab**

**Optional:**  
 Lwt Aluminum Lids



**Side View**



**End View**

**General Notes:**

- Product manufactured in accordance with CSA A23.4
- Lift Points Provided (See Shop Drawing for Quantity & Locations)
- Steel Products manufactured under CSA W47.1 in accordance to CSA W59
- Site Installation, Backfilling & Suitability for Use is the responsibility of others



19060 - 54th Avenue  
 Surrey, B.C. V3S 8E5

Tel (604) 576-1808  
 info@aeconcrete.com

**Switchgear Chamber Vista 5-Way (332120)**

(BCH Stk# 96005803)

Chamber: 26,350 lbs / 11,950 kgs  
 Roof Slab: 13,000 lbs / 5,900 kgs

Scale: 1:50 mm

Rev: 16Oct08

Dwg#: **SVHZ-N2-VIST5-C**