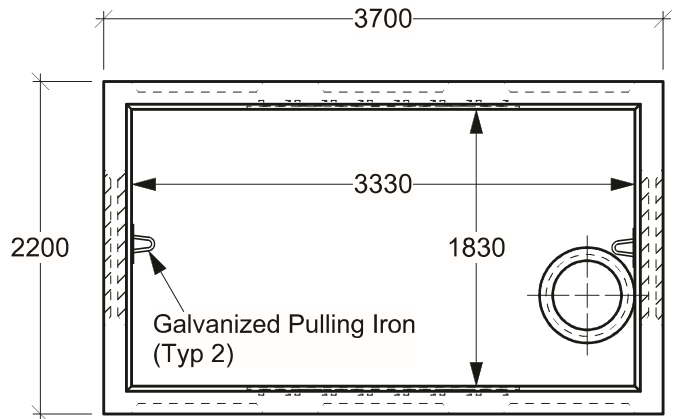
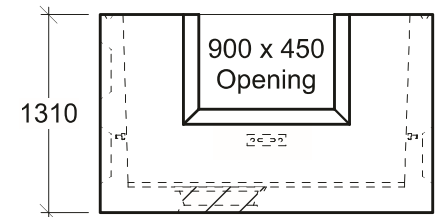
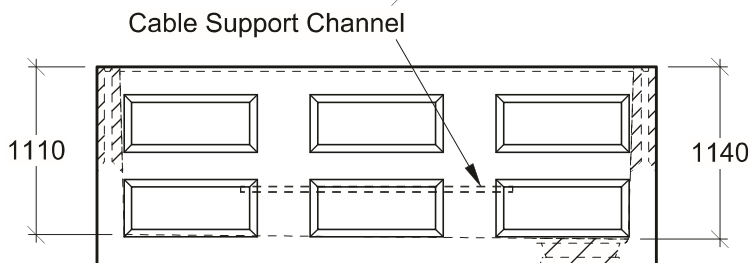
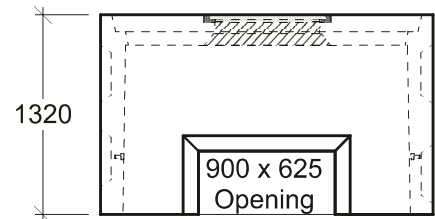
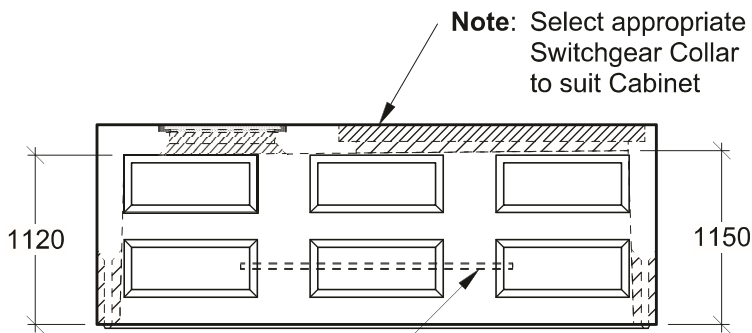


Plan View - Top



Plan View - Bottom



Side View

End View

General Notes:

- Product manufactured in accordance with CSA A23.4
- Lift Points Provided (See Shop Drawing for Quantity & Locations)
- Design and Provision of Thrust Blocks is the responsibility of others
- Site Installation, Backfilling & Suitability for Use is the responsibility of others



19060 - 54th Avenue
Surrey, B.C. V3S 8E5

Tel (604) 576-1808
info@aeconcrete.com

Switchgear Manhole Chamber

(BCH Stk# 350-8540)

Top: 14,310 lbs / 6,500 kgs
Btm: 17,850 lbs / 8,100 kgs

Scale: 1:50 mm

Rev: 28Jun08

Dwg#: **SVHZ-20-SGMH-C**