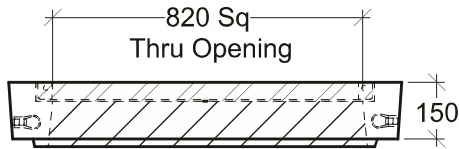


Painted Black, Bolt-down, Steel Checker Plate Lids  
**Options:** Galvanizing, Padlock Recess  
 Remote Reader Holes  
 Weld Marking e.g. "ELEC"

Galvanized  
 Steel Frame

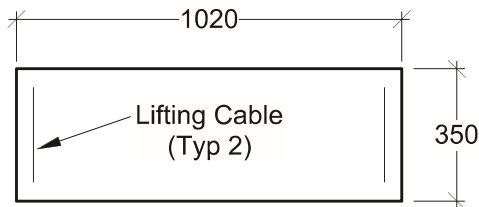
**Plan View**



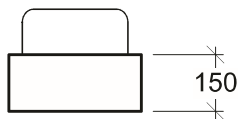
**Side View**

480 lbs / 218 kgs

**(A) Boulevard (Off Road) Use Hatch**



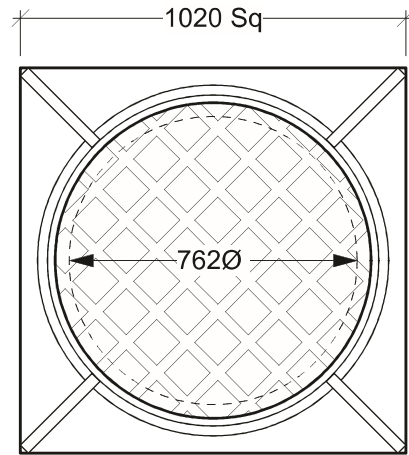
**Plan View**



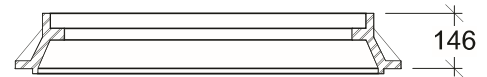
**End View**

(Typ 3 Required)  
 300 lbs / 136 kgs Each

**(B) Boulevard (Off Road) Use - Direct Bury**



**Plan View**



**Side View**

C-23SF / C-23A  
 Cast Iron Frame and Cover  
 580 lbs / 263 kgs

**(C) Roadway Use H-20 Traffic Loading**

**General Notes:**

- Product manufactured in accordance with CSA A23.4
- Lift Points Provided (See Shop Drawing for Quantity & Locations)
- Steel Products manufactured under CSA W47.1 in accordance to CSA W59
- Site Installation, Backfilling & Suitability for Use is the responsibility of others



19060 - 54th Avenue  
 Surrey, B.C. V3S 8E5

Tel (604) 576-1808  
 info@aeconcrete.com

**4040 Service Vault Covers**

Scale: 1:20 mm

Rev: 28Jun08

Dwg#: **SVHZ-LIDS-4040-C**