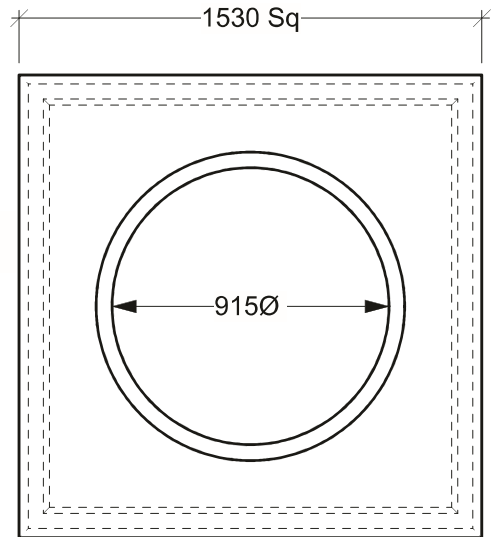
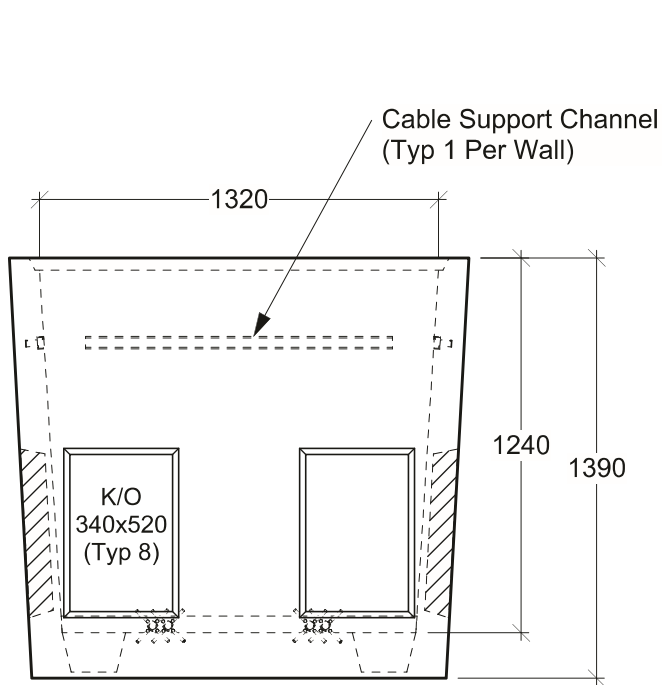


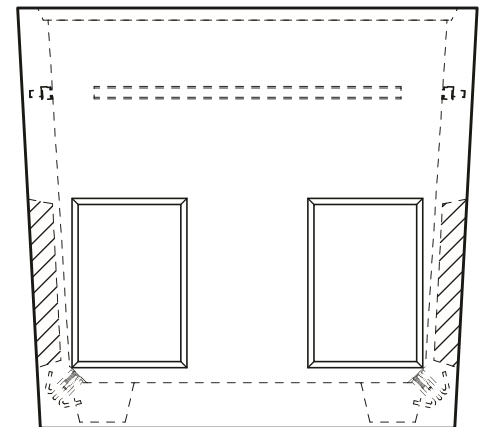
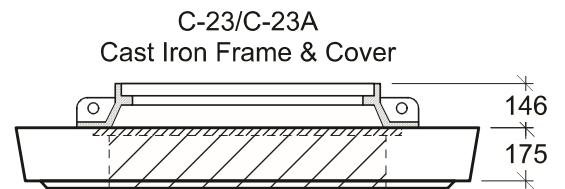
**Plan View - Vault**



**Plan View - Roof Slab**



**Side View**



**End View**

**General Notes:**

- Product manufactured in accordance with CSA A23.4
- Lift Points Provided (See Shop Drawing for Quantity & Locations)
- Designed for Roadway Use - H-20 Traffic Loading
- Site Installation, Backfilling & Suitability for Use is the responsibility of others



19060 - 54th Avenue  
Surrey, B.C. V3S 8E5

Tel (604) 576-1808  
info@aeconcrete.com

**1.5m BCH Service Vault w/ MH Entry Roof Slab**

(BCH Stock# 400-0955)

Vault: 5,070 lbs / 2,300 kgs  
Roof Slab: 1,610 lbs / 740 kgs

Scale: 1:25 mm

Rev: 28Jun08

Dwg#: **SVHZ-20-1500-C**