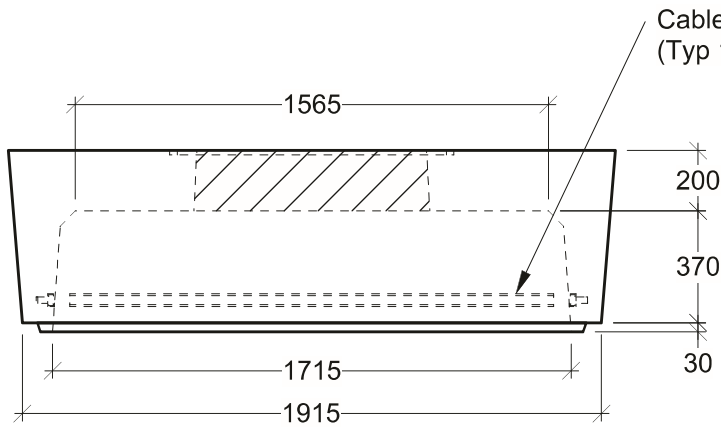
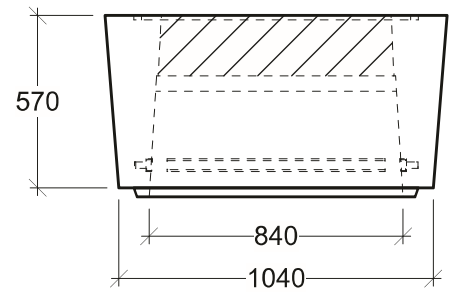


Plan View



Side View



End View

General Notes:

- Product manufactured in accordance with CSA A23.4.
- Lift Points Provided (See Shop Drawing for Quantity & Locations).
- Designed for Roadway Use - H-20 Traffic Loading.
- Site Installation, Backfilling & Suitability for Use is the responsibility of others.



19060 - 54th Avenue
Surrey, B.C. V3S 8E5

Tel (604) 576-1808
info@aeconcrete.com

632 BCH MH Entry Riser Roof Slab

(BCH Stock# 400-0997)

Riser Roof Slab: 3,490 lbs / 1,585 kgs

Scale: 1:25 mm

Rev: 28Jun08

Dwg#: **SVHZ-A1-R632-C**