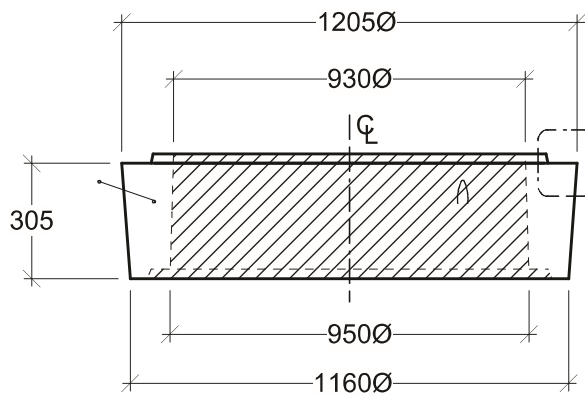
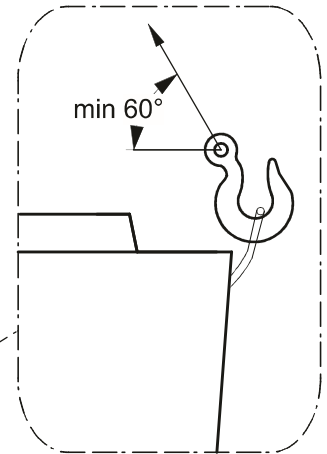


**Plan View**



**Elevation View**



**General Notes:**

- Product manufactured in accordance with CSA A23.4
- Site Installation, Backfilling & Suitability for Use is the responsibility of others
- Suitable for C23 / C23A Cast Iron Frame & Cover
- **Maximum Lift:** 4 Risers w/ Lift Loops (min 2100 Rigging Length w/ 3 Lifter Bridle)
- Risers to be Set using Non-Shrink Grout by Others



19060 - 54th Avenue  
Surrey, B.C. V3S 8E5

Tel (604) 576-1808  
info@aeconcrete.com

**Riser Ring 9150**

H = 305 (12"): 680 lbs / 310 kgs, 4 / Pallet

Scale: 1:20 mm

Rev: 17Feb17

Dwg#: **SVTZ-41-0300-C**