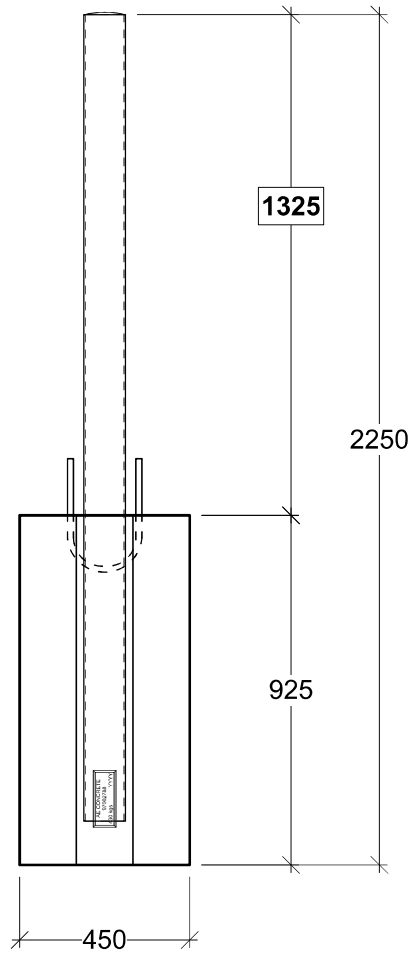


**Plan View**



**Elevation**

**General Notes:**

- Product manufactured in accordance with CSA A23.4
- Site Installation, Backfilling & Suitability for Use is the responsibility of others



19060 - 54th Avenue  
Surrey, B.C. V3S 8E5

Tel (604) 576-1808  
info@aeconcrete.com

**BCH Protection Post Bollard**

Bollard: 950 lbs / 430 kgs, 2 / Pallet

Scale: 1:20 mm

Rev: 05Jun17

Dwg#: **SMBB-3E-0509-C**