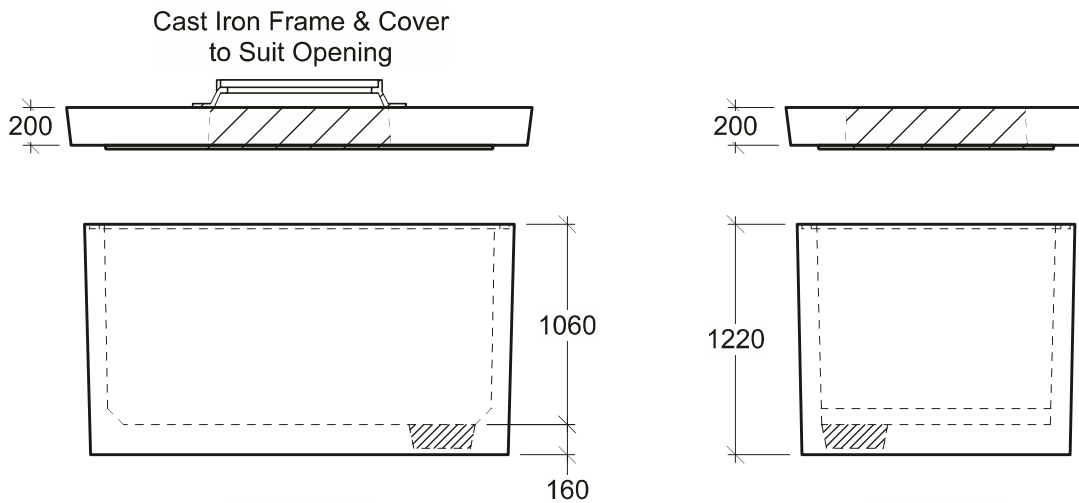


Plan View - Chamber

Plan View - Roof Slab



Side View

End View

General Notes:

- Product manufactured in accordance with CSA A23.4
- Lift Points Provided (See Shop Drawing for Quantity & Locations)
- Designed for Roadway Use - H-20 Traffic Loading
- Design and Provision of Thrust Blocks is the responsibility of others
- Site Installation, Backfilling & Suitability for Use is the responsibility of others



19060 - 54th Avenue
Surrey, B.C. V3S 8E5

Tel (604) 576-1808
info@aeconcrete.com

2121 Vault w/ MH Entry Roof Slab

Chamber: 6,850 lbs / 3,110 kgs
Roof Slab: 3,610 lbs / 1,640 kgs

Scale: 1:40 mm

Rev: 28Jun08

Dwg#: **VC21-MH-2121-C**