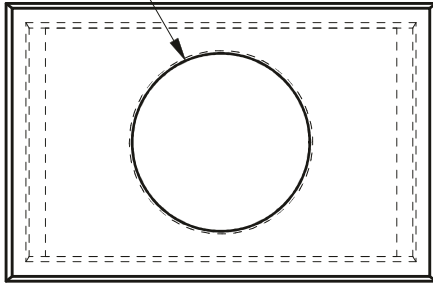
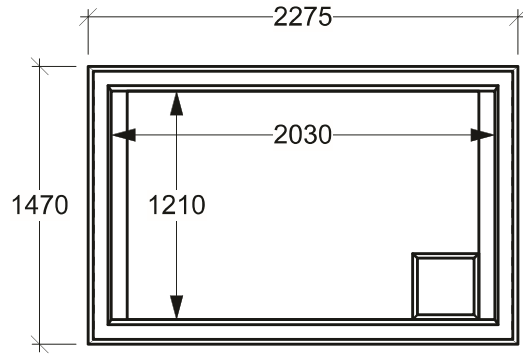


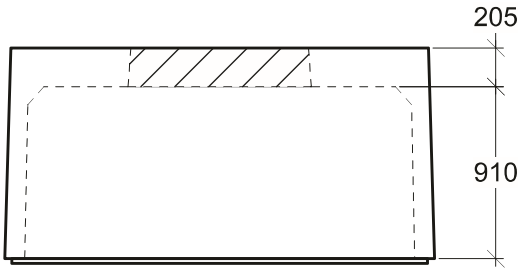
Openings Sized & Positioned to Suit



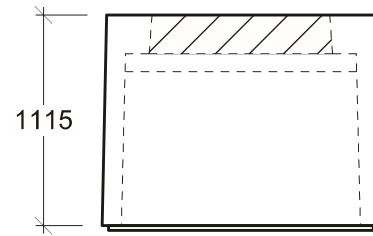
Plan View - Top



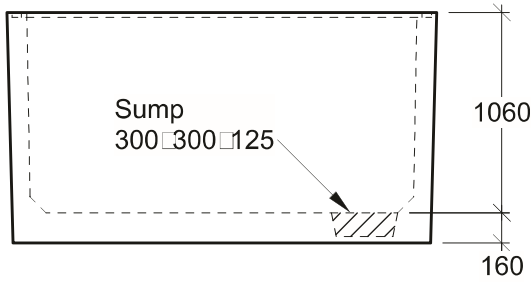
Plan View - Bottom



Side View

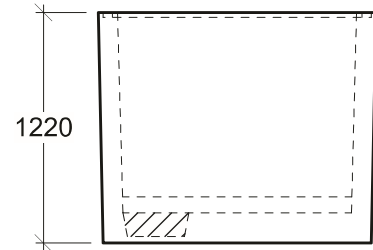


End View



Sump
300x300x125

Side View



End View

General Notes:

- Product manufactured in accordance with CSA A23.4
- Lift Points Provided (See Shop Drawing for Quantity & Locations)
- Designed for Roadway Use -20 Traffic Loading
- Design and Provision of Thrust Blocks is the responsibility of others
- Site Installation, Backfilling & Suitability for Use is the responsibility of others



19060 54th Avenue
Surrey, B.C. V3S 8E5

Tel: (604) 576-1808
info@aeconcrete.com

2122 Chamber

Top: 6,640 lbs / 3,020 kgs
Btm: 6,930 lbs / 3,150 kgs

Scale: 1:40 mm

Rev: 28Jun08

Dwg#: **VC21-20-2122-C**