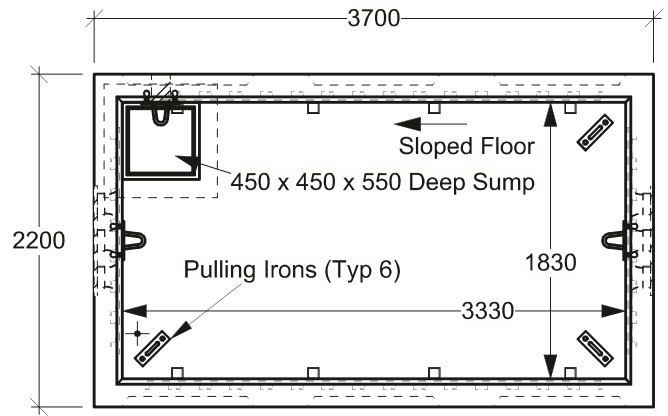
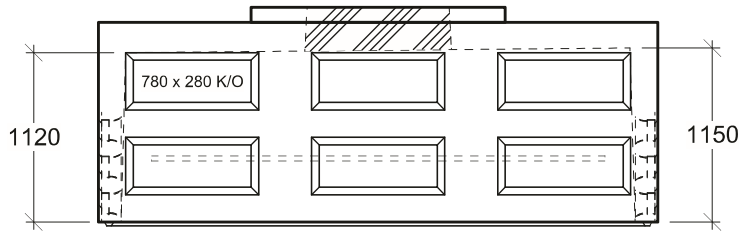


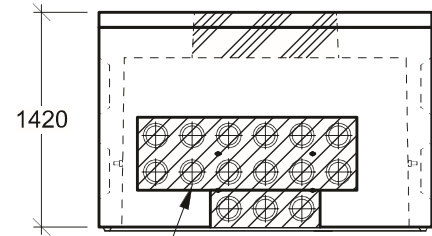
Plan View - Top



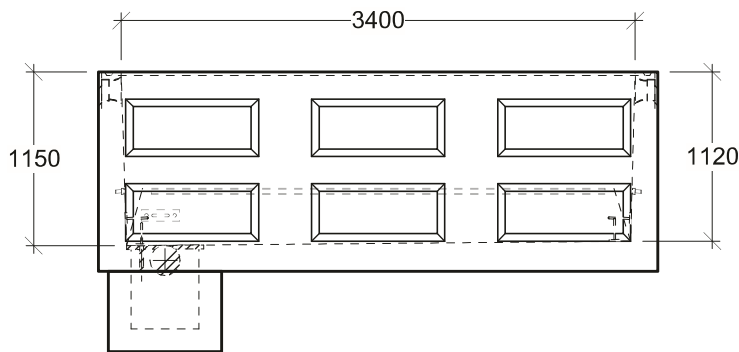
Plan View - Bottom



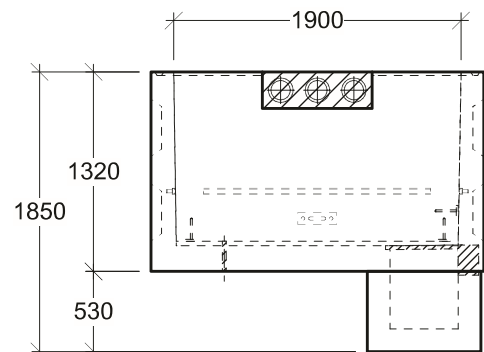
Side View



Optional Duct Bank Window w/ Dowel Bars
(Bell Ends Supplied by Others)



End View



General Notes:

- Product manufactured in accordance with CSA A23.4
- Lift Points Provided (See Shop Drawing for Quantity & Locations)
- Designed for Roadway Use - H-20 Traffic Loading
- Design and Provision of Thrust Blocks is the responsibility of others
- Site Installation, Backfilling & Suitability for Use is the responsibility of others



19060 - 54th Avenue
Surrey, B.C. V3S 8E5

Tel (604) 576-1808
info@aeconcrete.com

331822 Chamber - UBC Custom Power or Comm

Top: 17,000 lbs / 7,715 kgs
Btm: 16,000 lbs / 7,260 kgs

Scale: 1:50 mm

Rev: 25Nov02

Dwg#: **VC33-20-UBC-C**