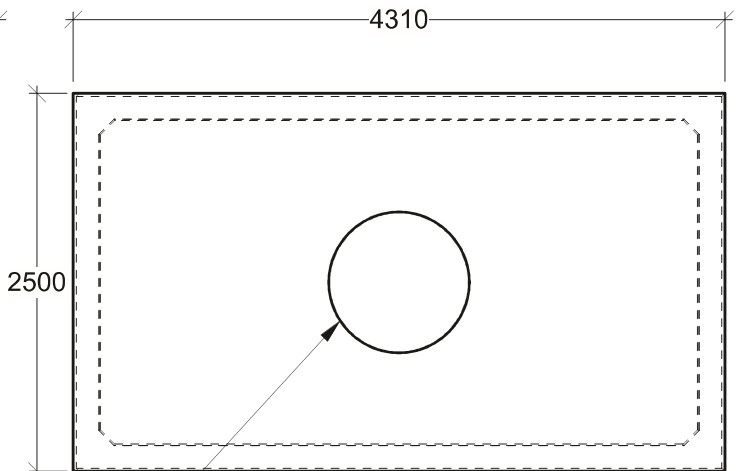
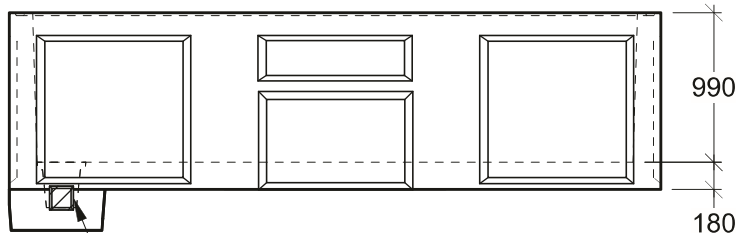
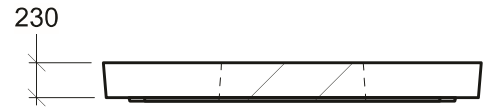


**Plan View - Chamber**

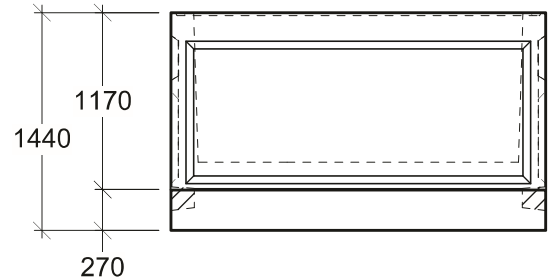


**Plan View - Roof Slab**

Openings Sized & Positioned to Suit



**Side View**



**End View**

**General Notes:**

- Product manufactured in accordance with CSA A23.4
- Lift Points Provided (See Shop Drawing for Quantity & Locations)
- Designed for Roadway Use - H-20 Traffic Loading
- Design and Provision of Thrust Blocks is the responsibility of others
- Site Installation, Backfilling & Suitability for Use is the responsibility of others



19060 - 54th Avenue  
Surrey, B.C. V3S 8E5

Tel (604) 576-1808  
info@aeconcrete.com

**4211 Chamber w/ Roof Slab**

Chamber: 19,000 lbs / 9,030 kg  
Roof Slab: 13,890 lbs / 6,310 kgs

Scale: 1:50 mm

Rev: 11Mar16

Dwg#: **VC42-20-1000-C**