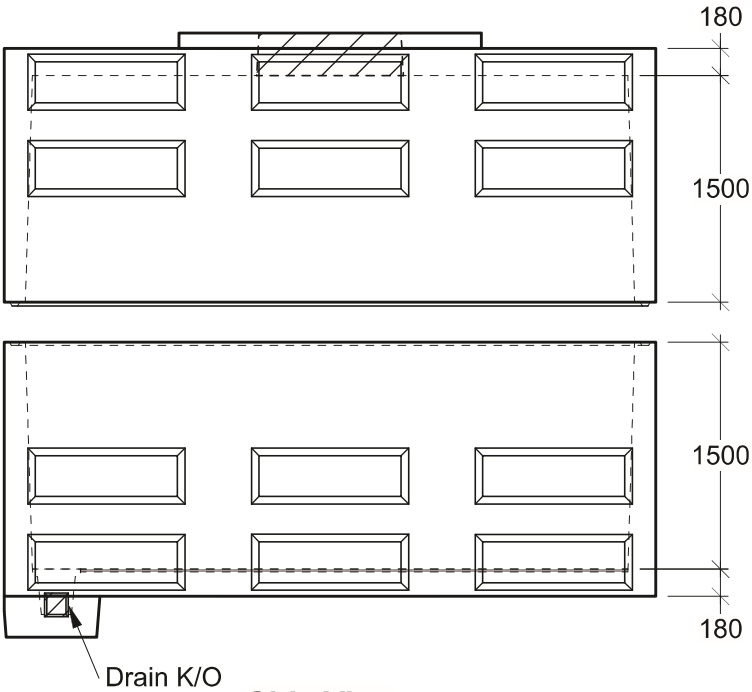
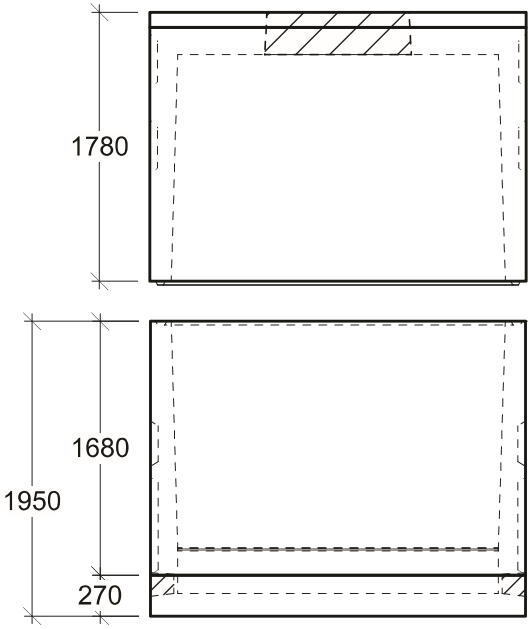


Plan View - Top

Plan View - Bottom



Side View



End View

General Notes:

- Product manufactured in accordance with CSA A23.4
- Lift Points Provided (See Shop Drawing for Quantity & Locations)
- Designed for Roadway Use - H-20 Traffic Loading
- Design and Provision of Thrust Blocks is the responsibility of others
- Site Installation, Backfilling & Suitability for Use is the responsibility of others



19060 - 54th Avenue
Surrey, B.C. V3S 8E5
Tel (604) 576-1808
info@aeconcrete.com

402130 Chamber

Top: 28,900 lbs / 13,120 kgs
Btm: 12,400 lbs / 27,250 kgs

Scale: 1:50 mm

Rev: 15Jun13

Dwg#: **VC40-20-3000-C**