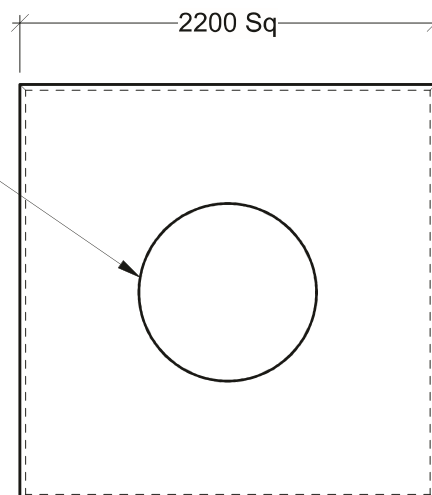
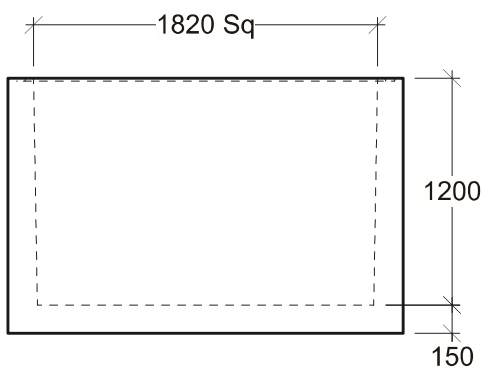


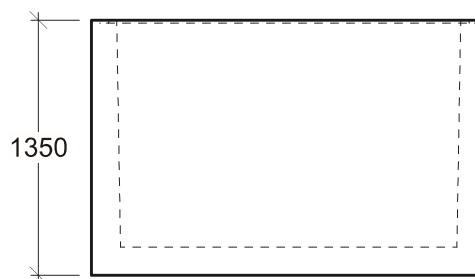
Plan View - Chamber



Plan View - Roof Slab



Side View



End View

General Notes:

- Product manufactured in accordance with CSA A23.4
- Lift Points Provided (See Shop Drawing for Quantity & Locations)
- Designed for Roadway Use - H-20 Traffic Loading
- Design and Provision of Thrust Blocks is the responsibility of others
- Site Installation, Backfilling & Suitability for Use is the responsibility of others



19060 - 54th Avenue
Surrey, B.C. V3S 8E5

Tel (604) 576-1808
info@aeconcrete.com

181812 Chamber

Roof Slab: 6,100 lbs / 2,770 kgs
Vault: 11,180 lbs / 5,080 kgs

Scale: 1:40 mm

Rev: 08May17

Dwg#: **VC18-20-1200-C**