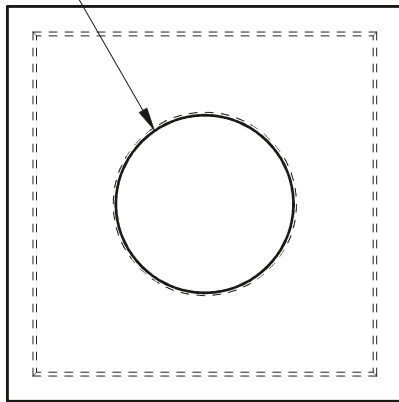
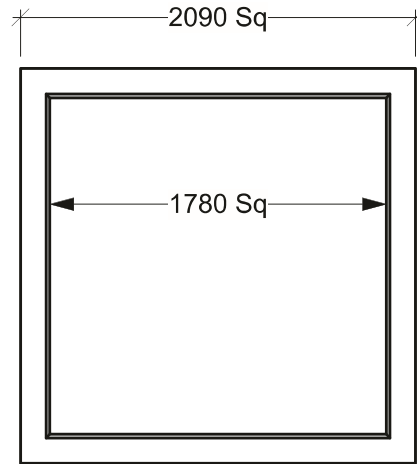


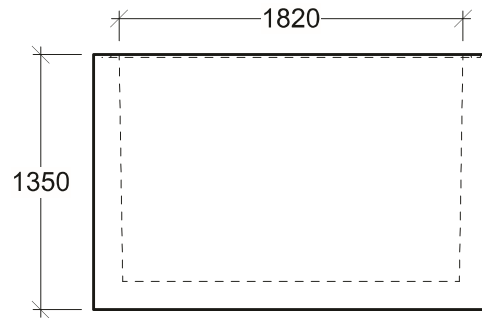
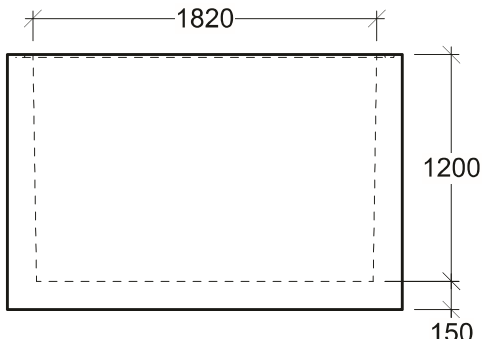
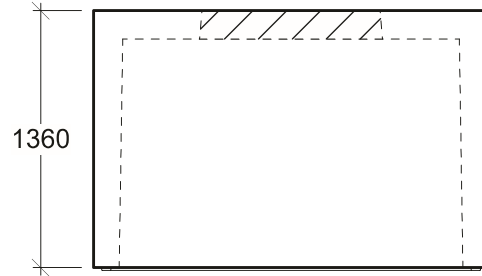
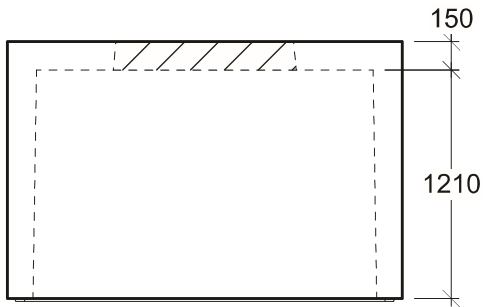
Openings Sized & Positioned to Suit



**Plan View - Top**



**Plan View - Bottom**



**Side View**

**End View**

**General Notes:**

- Product manufactured in accordance with CSA A23.4
- Lift Points Provided (See Shop Drawing for Quantity & Locations)
- Designed for Roadway Use - H-20 Traffic Loading
- Design and Provision of Thrust Blocks is the responsibility of others
- Site Installation, Backfilling & Suitability for Use is the responsibility of others



19060 - 54th Avenue  
Surrey, B.C. V3S 8E5  
Tel (604) 576-1808  
info@aeconcrete.com

**181824 Chamber**

Top: 10,670 lbs / 4,840 kgs  
Btm: 11,180 lbs / 5,080 kgs

Scale: 1:40 mm

Rev: 08May17

Dwg#: **VC18-20-ZZZZ-C**