

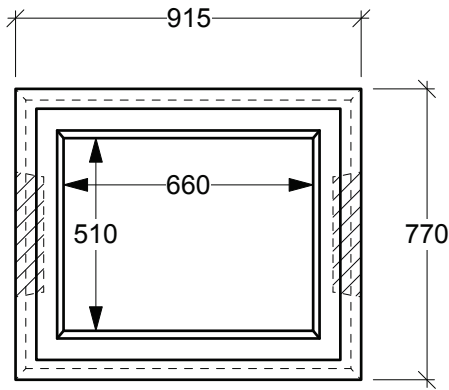
Miscellaneous and Cast Iron Listings

<u>Drawing Number</u>	<u>Item Description</u>	<u>Product Size</u> (Length X Width X Depth in mm)
SVVZ-20-SUMP-C	Drainage Sump w/ Cover	660 x 510 x 765 i.d.
SVVZ-NC-SUMP-C	Drainage Sump w/ Cast Iron Frame & Grate	660 x 510 x 765 i.d.
HD00-ZZ-FISH-C	Fish Ladder	1400 x 900 x 1250
TRCH-20-1220-C	Concrete Trench w/ B-10 Cast Iron Grate	1220 x 90 x 100 i.d.
TRCH-20-0620-C	Custom Slot Drain w/ B-14C Grate	7660 x 130 x 450 i.d.
TRCH-92-B14C	Slot Drain Grate (B-14C)	915 x 222 x 38
TRCH-20-1616-C	Concrete Trench	5775 x 390 x 400 i.d.
TRCH-20-0710-C	Concrete Trench	5995 x 750 x 1025 i.d.
TRCH-NA-1010-C	Concrete Trench 1010 (Flush Cover)	Varies
TRCH-NB-1010-C	Concrete Trench 1010 (Super Imposed Cover)	Varies
LAWN-20-0255-C	255Ø Lawn Drain w/ 305Ø Cast Iron Grate	255Ø x 495 i.d.
LOCK & LOAD-1-C LOCK & LOAD-2-C LOCK & LOAD-3-C	Lock and Load Retaining Wall System (3 Pages) L & L Standard Panel & Counterfort L & L Corner Panel & Cap Stone L & L Half Wide Panel - Transition Pieces	
00CM-ZZ-2424-C	Cable Markers Large Cable Marker Small	610 sq x 100 310 sq x 75
FPAD-ZZ-2424-C	Evergreen Pad	610 sq x 102
FPAD-ZZ-1616-C	Heritage Lightweight Foundation Pad	406 sq x 100
OCCS-ZZ-0007-C	2130mm (7 Foot) Curb Stop	2130 x 200 x 152
SVTZ-41-ZZZZ-C	Riser Ring 915Ø (100, 125, 150 High)	Varies
00GR-41-ZZZZ-C	Riser Grade Ring MH 610Ø (50, 100, 150 High)	Varies

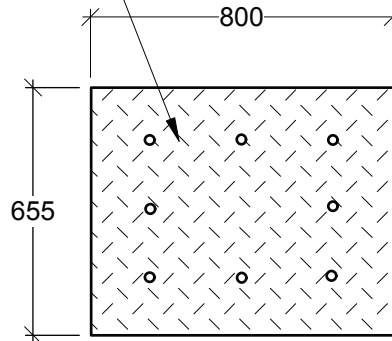
Miscellaneous and Cast Iron Listings

<u>Drawing Number</u>	<u>Item Description</u>	<u>Product Size</u> (Length X Width X Depth in mm)
MHFC-97-0760-C	C23 / C23A Cast Iron Manhole Frame & Cover	
MHFC-96-0610-C	C18 Cast Iron Frame & Cover	
MHFR-93-MR6	MR-6 Valve Box	Varies
MHFR-93-MR8	MR-8 Valve Box	
MHFC-93-D14C	D-14C Cleanout	454Ø x 104
RSLA-MB-3050-C	Aluminum Ladder w/ Safety Post (Ceiling or Wall Mount)	Varies
VCLA-19AL-RUNG-C	Aluminum Ladder Rung	
SUMP-RS-MISC-C	Sumps, Risers & Covers 12" to 36" Diameter	Varies

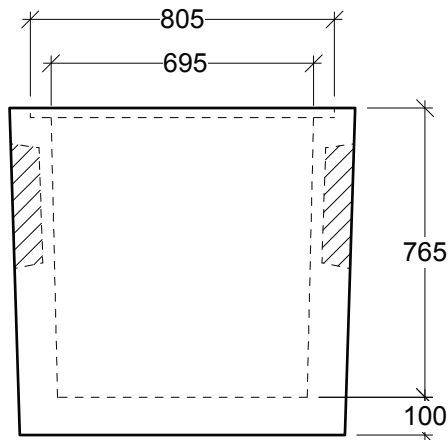
Painted Black, Steel Checker Plate Lids
Options: Galvanizing,
 25Ø Perforations



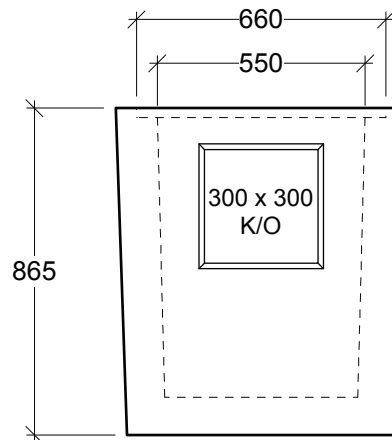
Plan View - Sump



Plan View - Cover



Side View



End View

General Notes:

- Product manufactured in accordance with CSA A23.4
- Lift Points Provided (See Shop Drawing for Quantity & Locations)
- Designed for Boulevard (Off-Road) Use - H-20 Static Loading
- Site Installation, Backfilling & Suitability for Use is the responsibility of others



19060 - 54th Avenue
 Surrey, B.C. V3S 8E5

Tel (604) 576-1808
 info@aeconcrete.com

Drainage Sump w/ Cover

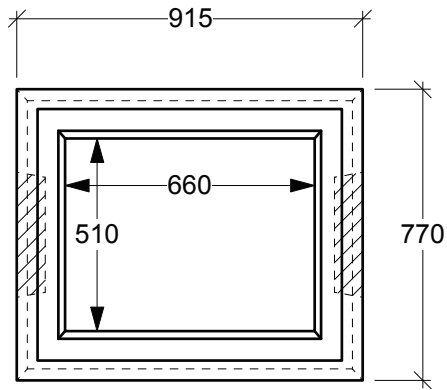
Sump: 1,555 lbs / 710 kgs
 Cover: 125 lbs / 60 kgs

Scale: 1:20 mm

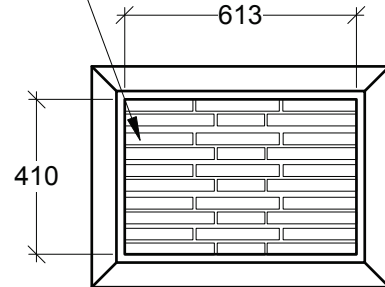
Rev: 28Jun08

Dwg#: **SVVZ-20-SUMP-C**

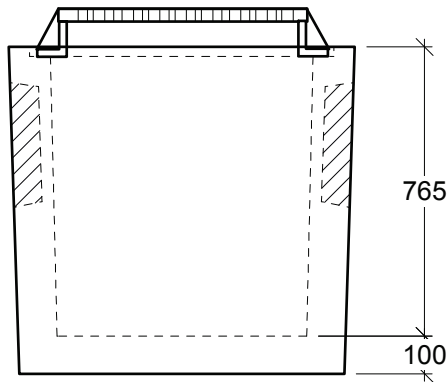
B-39/39A
Cast Iron Frame and Grate



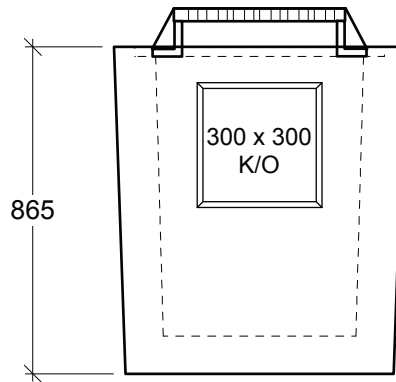
Plan View - Sump



Plan View - Grate



Side View



End View

General Notes:

- Product manufactured in accordance with CSA A23.4
- Lift Points Provided (See Shop Drawing for Quantity & Locations)
- Designed for Boulevard (Off-Road) Use - H-20 Static Loading
- Site Installation, Backfilling & Suitability for Use is the responsibility of others



19060 - 54th Avenue
Surrey, B.C. V3S 8E5

Tel (604) 576-1808
info@aeconcrete.com

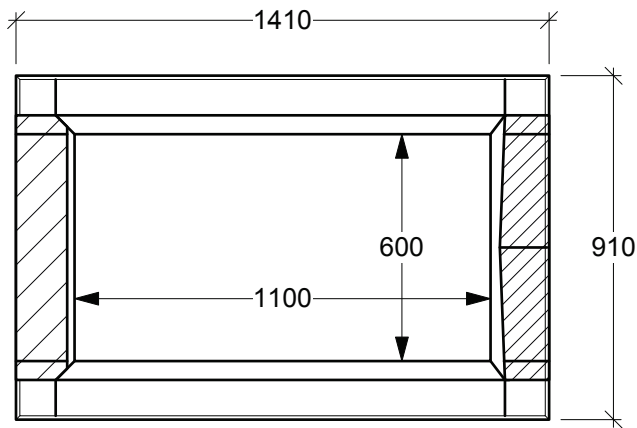
Drainage Sump w/ Cast Iron Frame and Grate

Sump: 1,555 lbs / 710 kgs
Grate & Frame: 210 lbs / 95 kgs

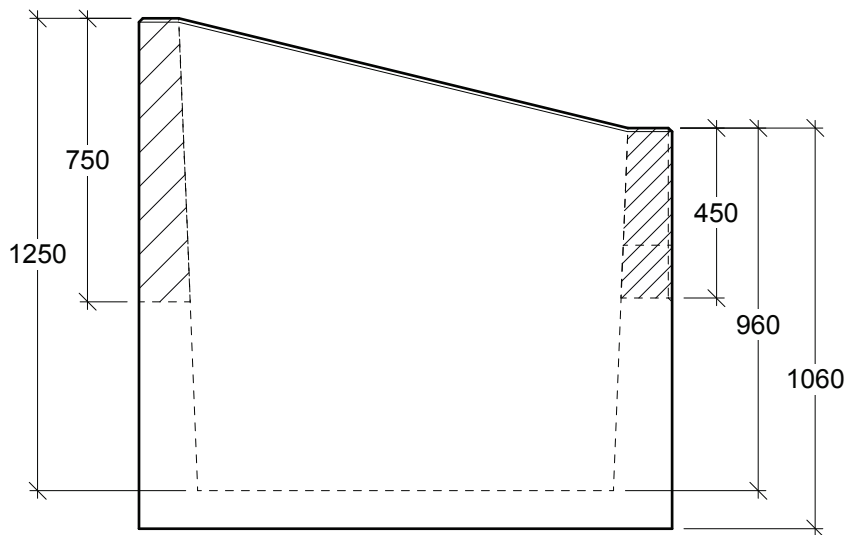
Scale: 1:20 mm

Rev: 28Jun08

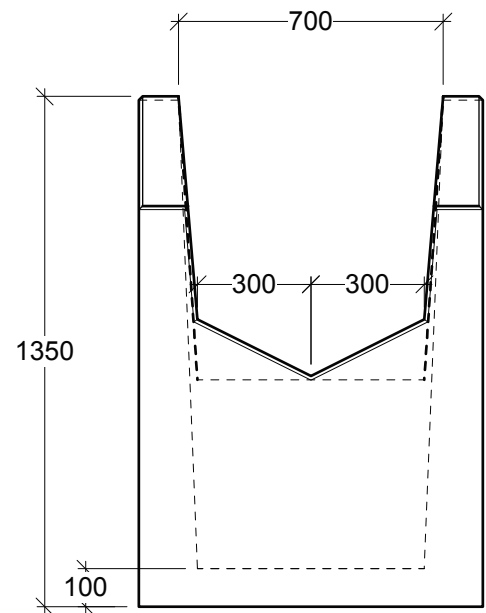
Dwg#: **SVVZ-NC-SUMP-C**



Plan View



Side View



End View

General Notes:

- Product manufactured in accordance with CSA A23.4
- Lift Points Provided (See Shop Drawing for Quantity & Locations)
- Site Installation, Backfilling & Suitability for Use is the responsibility of others



19060 - 54th Avenue
Surrey, B.C. V3S 8E5

Tel (604) 576-1808
info@aeconcrete.com

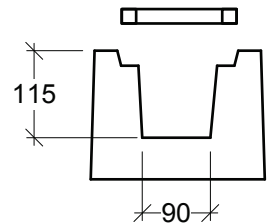
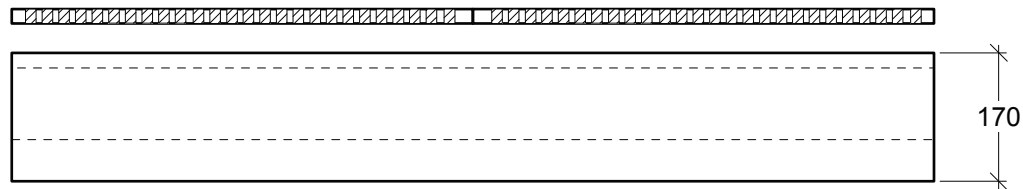
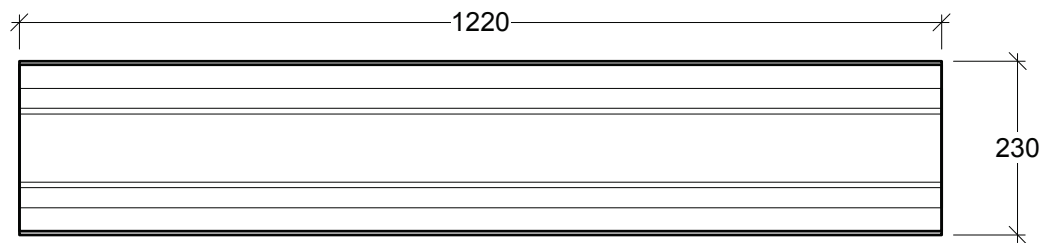
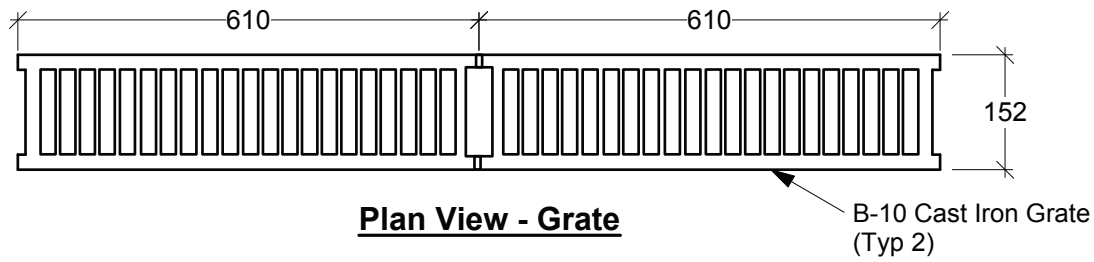
Fish Ladder

Sump: 2,950 lbs / 1,340 kgs

Scale: 1:20 mm

Rev: 21Jul14

Dwg#: **HD00-ZZ-FISH-C**



General Notes:

- Site Installation, Backfilling & Suitability for Use is the responsibility of others
- Product manufactured in accordance with CSA A23.4
- Lift Points Provided (See Shop Drawing for Quantity & Locations)



19060 - 54th Avenue
Surrey, B.C. V3S 8E5

Tel (604) 576-1808
info@aeconcrete.com

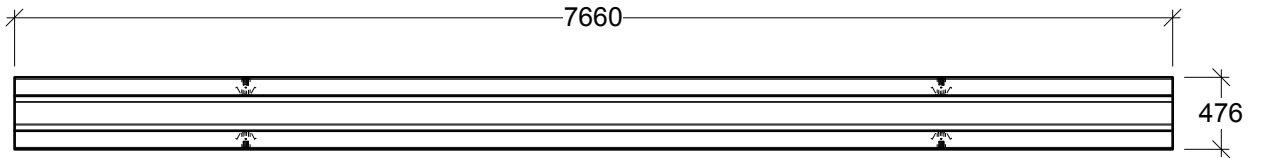
Concrete Trench w/ B-10 Cast Iron Grate

Trench: 170 lbs / 77 kgs
Grate: 32 lbs / 15 kgs
Total: 202 lbs / 92 kgs

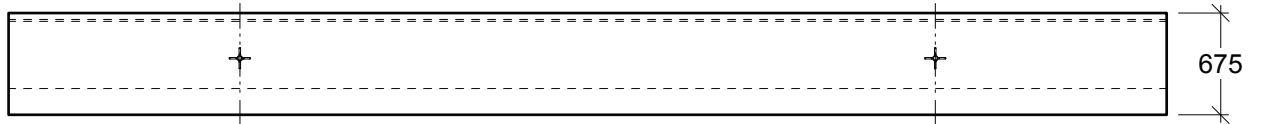
Scale: 1:10 mm

Rev: 28Jun08

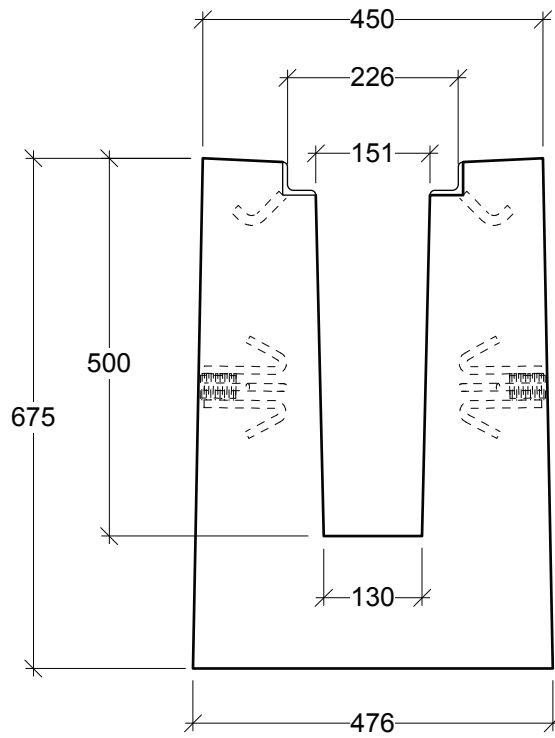
Dwg#: **TRCH-20-1220-C**



Plan View



Side View



Section

Scale: 1:10

General Notes:

- Product manufactured in accordance with CSA A23.4
- Lift Points Provided (See Shop Drawing for Quantity & Locations)
- Site Installation, Backfilling & Suitability for Use is the responsibility of others



19060 - 54th Avenue
Surrey, B.C. V3S 8E5

Tel (604) 576-1808
info@aeconcrete.com

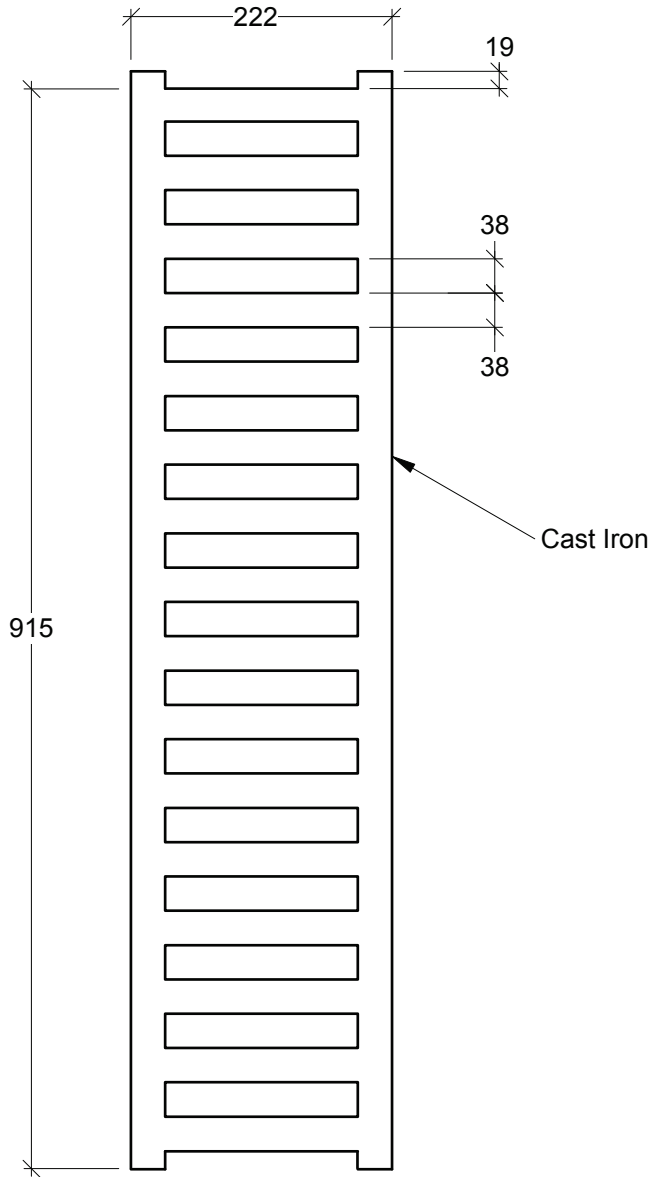
Custom Slot Drain

Drain: 9,700 lbs / 4,400 kgs

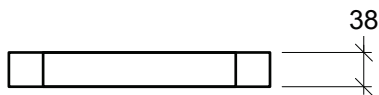
Scale: 1:50 mm

Rev: 28Jun08

Dwg#: **TRCH-20-0620-C**



Plan View



End View



19060 - 54th Avenue
Surrey, B.C. V3S 8E5

Tel (604) 576-1808
info@aeconcrete.com

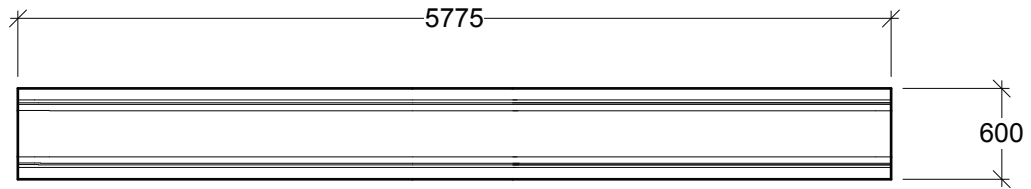
Slot Drain Grate (B-14C)

Grate: 77 lbs / 35 kgs

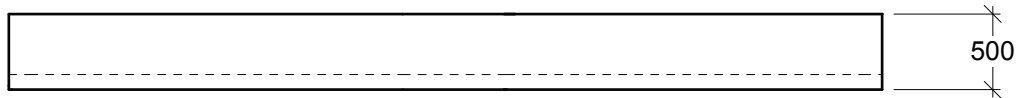
Scale: 1:50 mm

Rev: 28Jun08

Dwg#: **TRCH-92-B14C-C**



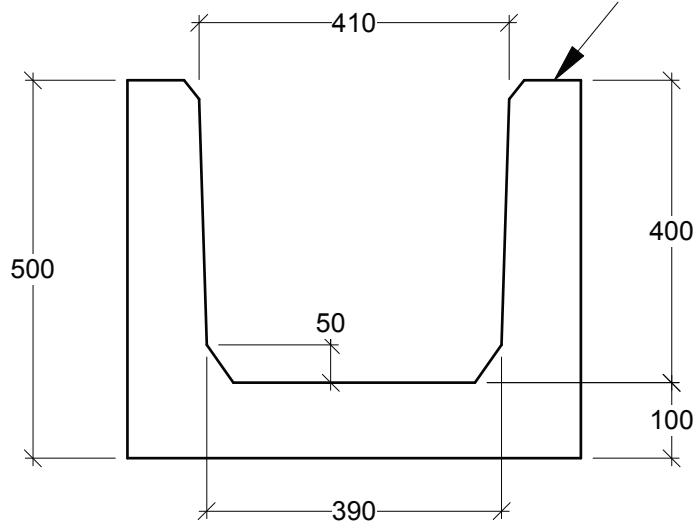
Plan View



Side View

Lid Options:

- Roof Slabs, Steel Covers, or Grating
- Recessed or Top Mounted to Suit Loading



Section
Scale: 1:10

General Notes:

- Product manufactured in accordance with CSA A23.4
- Lift Points Provided (See Shop Drawing for Quantity & Locations)
- Site Installation, Backfilling & Suitability for Use is the responsibility of others



19060 - 54th Avenue
Surrey, B.C. V3S 8E5

Tel (604) 576-1808
info@aeconcrete.com

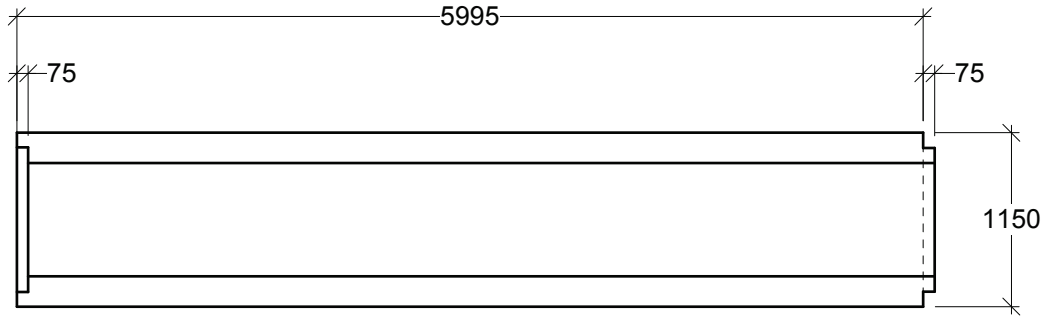
Concrete Trench

Trench: 4,450 lbs / 2,025 kgs

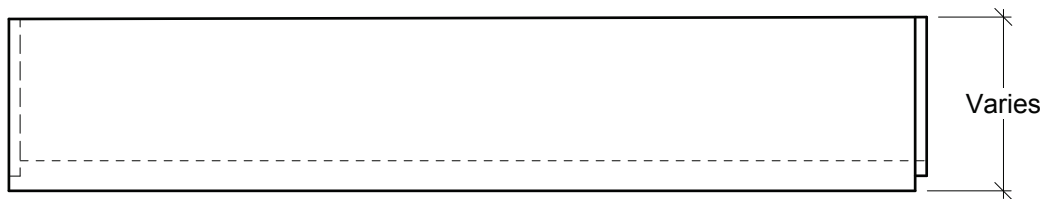
Scale: 1:50 mm

Rev: 28Jun08

Dwg#: **TRCH-20-1616-C**



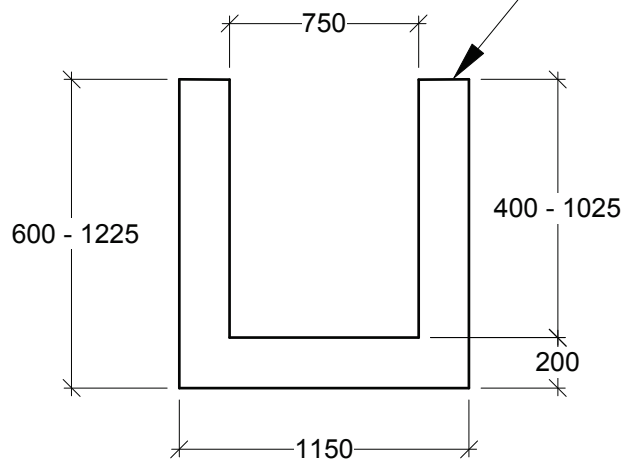
Plan View



Side View

Lid Options:

- Roof Slabs, Steel Covers, or Grating
- Recessed or Top Mounted to Suit Loading



Section

Scale: 1:30

General Notes:

- Product manufactured in accordance with CSA A23.4
- Lift Points Provided (See Shop Drawing for Quantity & Locations)
- Site Installation, Backfilling & Suitability for Use is the responsibility of others



19060 - 54th Avenue
Surrey, B.C. V3S 8E5

Tel (604) 576-1808
info@aeconcrete.com

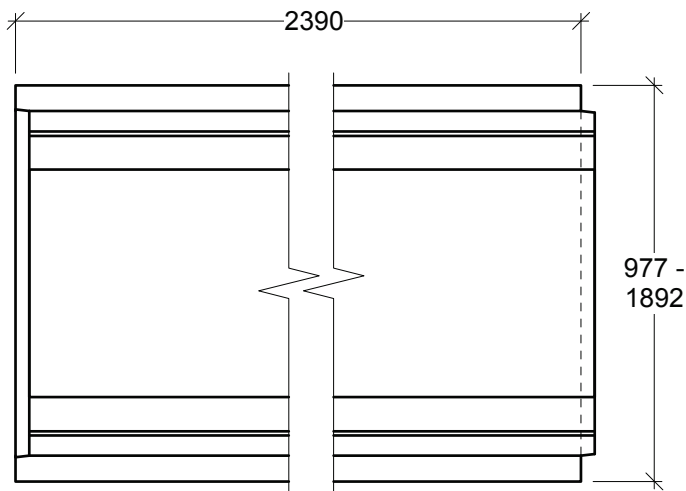
Concrete Trench

Trench: 13,000 lbs - 21,350 lbs /
5,900 kgs - 9,700 kgs

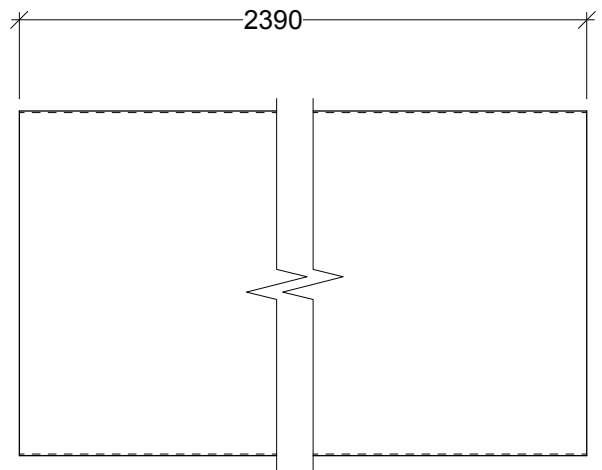
Scale: 1:50 mm

Rev: 01May14

Dwg#: **TRCH-20-0710-C**



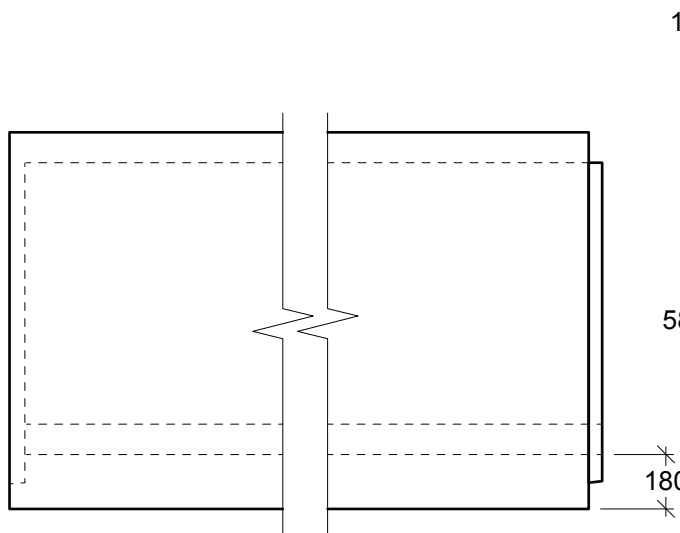
Plan View - Trench



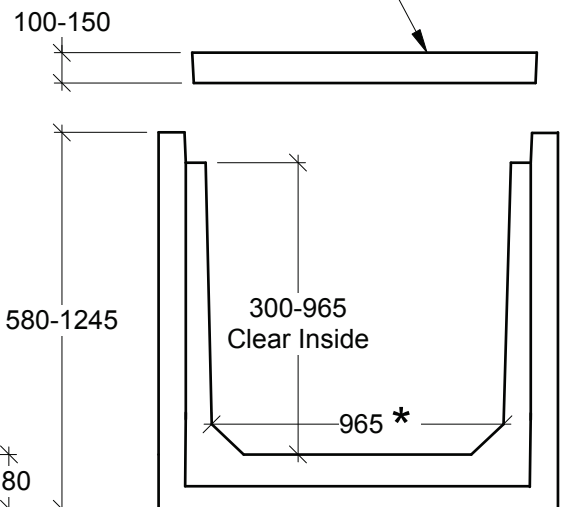
Plan View - Cover

Lid Options:

- Roof Slabs, Steel Covers, or Grating
- Recessed or Top Mounted to Suit Loading



Side View



*** Additional Widths Available**
(610, 760, 1220, 1525, or to Suit)

End View

General Notes:

- Product manufactured in accordance with CSA A23.4
- Lift Points Provided (See Shop Drawing for Quantity & Locations)
- Site Installation, Backfilling & Suitability for Use is the responsibility of others



19060 - 54th Avenue
Surrey, B.C. V3S 8E5

Tel (604) 576-1808
info@aeconcrete.com

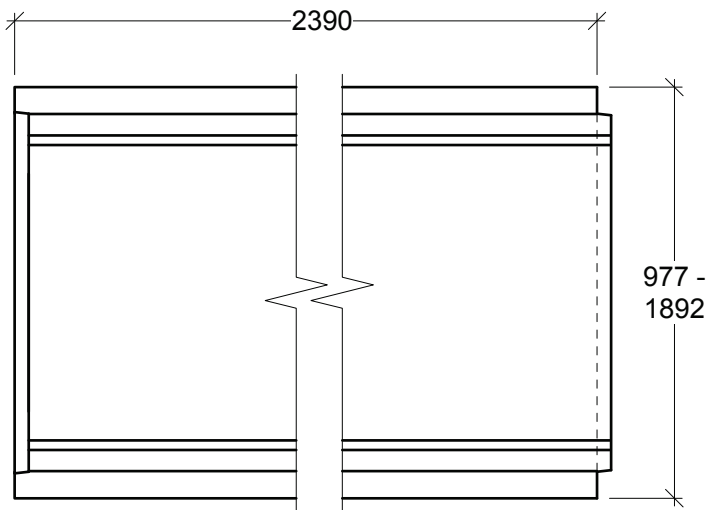
Concrete Trench 1010 (Flush Cover)

Trench: Subject to Height & Width
Cover: Subject to Height & Width

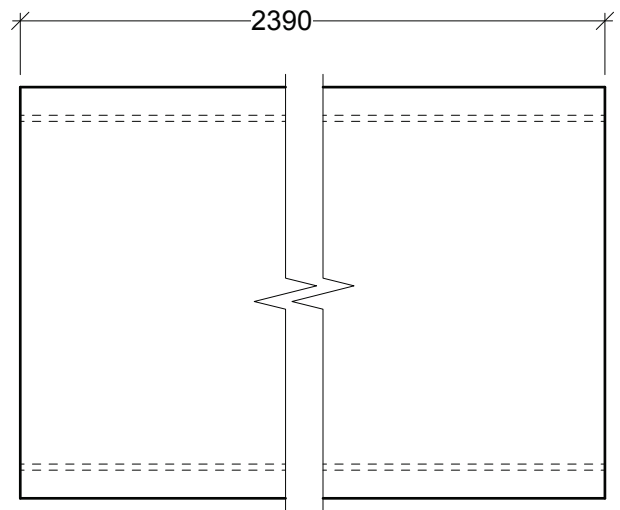
Scale: N.T.S.

Rev: 02Jun16

Dwg#: **TRCH-NA-1010-C**



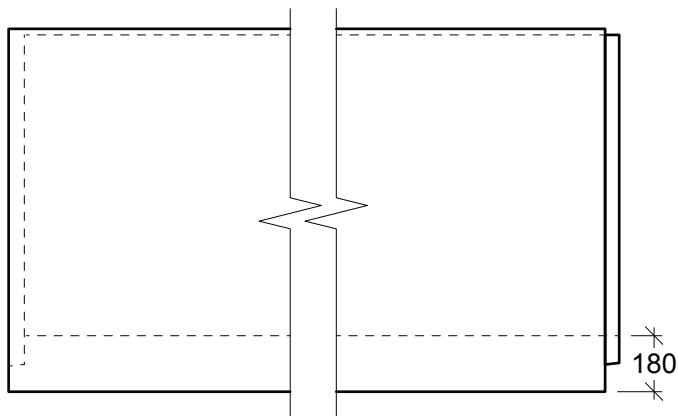
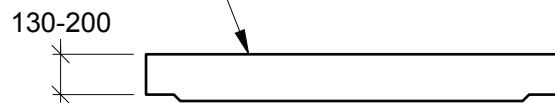
Plan View - Trench



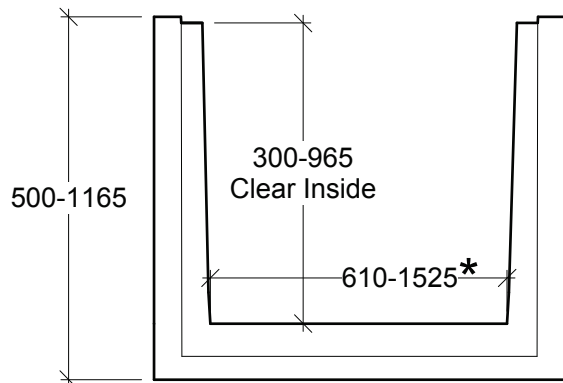
Plan View - Cover

Lid Options:

- Roof Slabs, Steel Covers, or Grating
- Super Imposed or Flush to Suit Loading



Side View



*** Additional Widths Available**
(610, 760, 1220, 1525, or to Suit)

End View

General Notes:

- Product manufactured in accordance with CSA A23.4
- Lift Points Provided (See Shop Drawing for Quantity & Locations)
- Typically Designed for 300 psf (14.4 kpa) or H-20 Traffic Loading.
- Site Installation, Backfilling & Suitability for Use is the responsibility of others



19060 - 54th Avenue
Surrey, B.C. V3S 8E5

Tel (604) 576-1808
info@aeconcrete.com

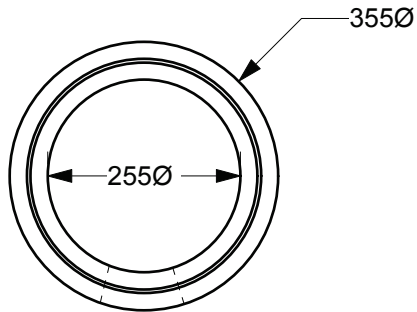
Concrete Trench 1010 (Super Imposed Cover)

Trench: Subject to Height & Width
Cover: Subject to Height & Width

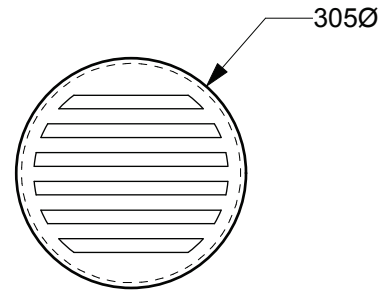
Scale: N.T.S.

Page: 1/1

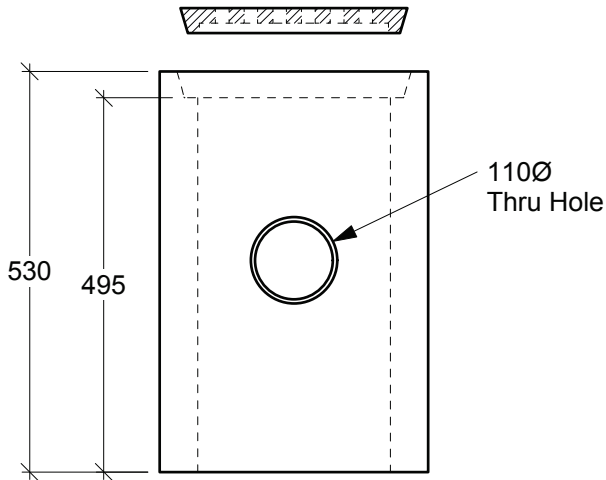
Dwg#: **TRCH-NB-1010-C**



Plan View - Drain



Plan View - Grate
B2B Cast Iron Grate



Side View

General Notes:

- Product manufactured in accordance with CSA A23.4
- Site Installation, Backfilling & Suitability for Use is the responsibility of others
- Lift Points Provided (See Shop Drawing for Quantity & Locations)
- Designed for Boulevard (Off-Road) Use - H-20 Static Loading



19060 - 54th Avenue
Surrey, B.C. V3S 8E5

Tel (604) 576-1808
info@aeconcrete.com

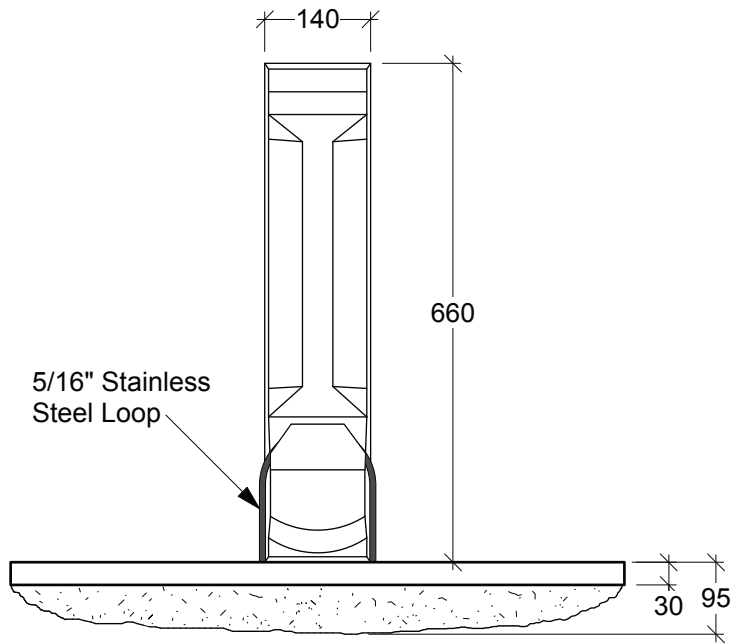
255Ø Lawn Drain w/ 305Ø Cast Iron Grate

Drain: 130 lbs / 60 kgs
Grate: 8 lbs / 8 kgs
Total: 148 lbs / 68 kgs

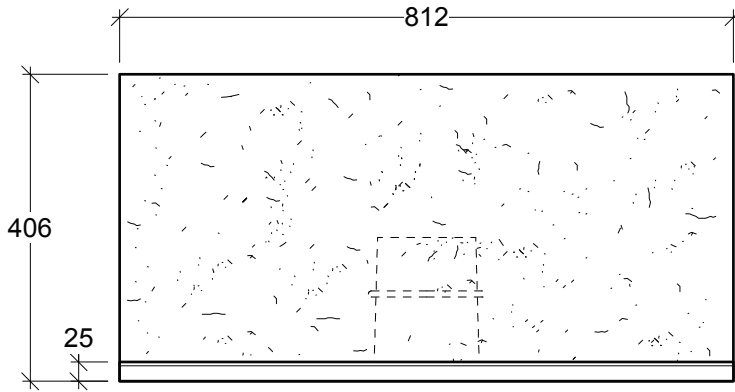
Scale: 1:10 mm

Rev: 28Jun08

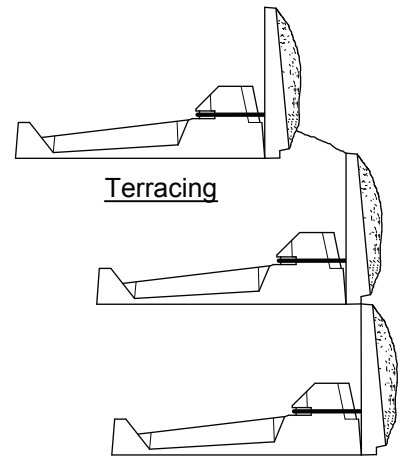
Dwg#: **LAWN-20-0255-C**



Plan View

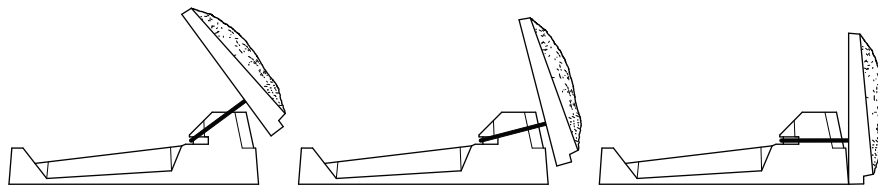


Front View



Terracing

Stacking Process



Panel & Counterfort Connection

Side View

Side View

General Notes:

- Products manufactured in accordance with CSA A23.4
- Site Installation, Backfilling & Suitability for Use is the responsibility of others.
- Custom wall design available upon request



19060 - 54th Avenue
Surrey, B.C. V3S 8E5

Tel (604) 576-1808
info@aeconcrete.com

Lock & Load Retaining Wall

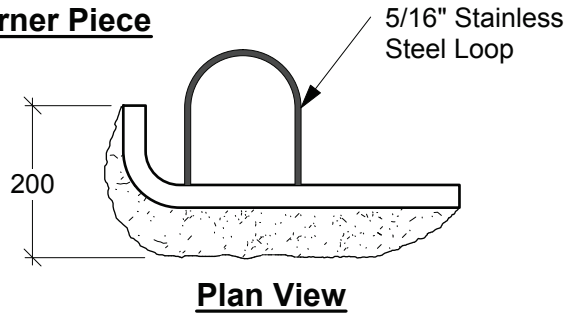
Wall: 160 lbs / 73 kgs

Scale: 1:10 mm

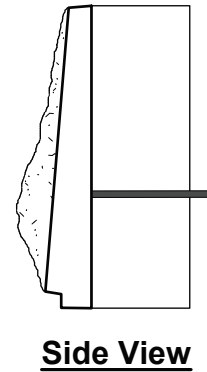
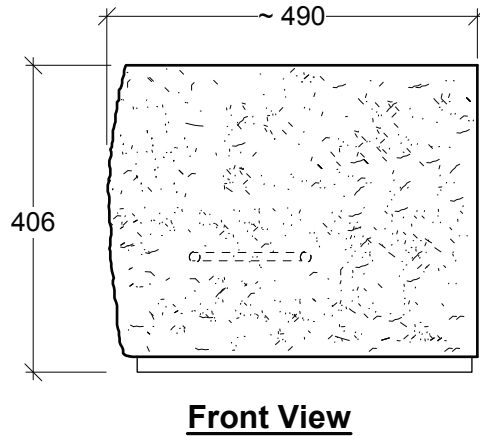
Rev: 28Jun08

Dwg#: **LOCK & LOAD-1-C**

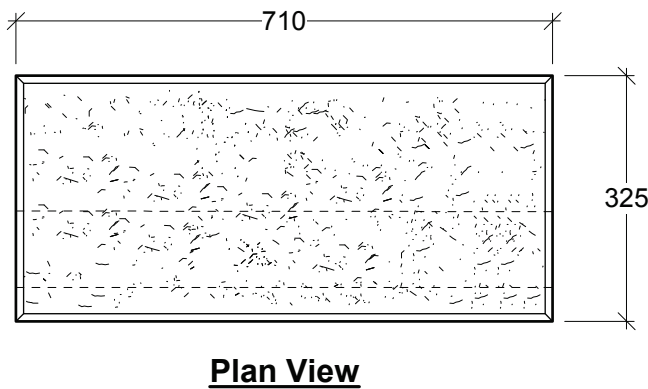
(A) Corner Piece



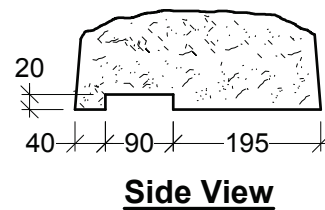
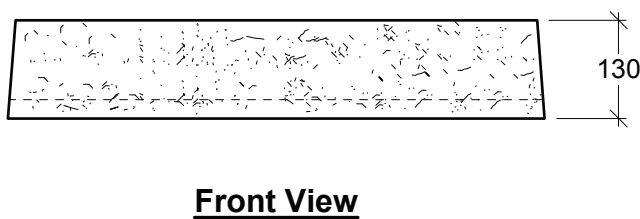
Note: Left Corner shown
Right Corners available
Inside Corners also available



(B) Cap Stone



Note: Std Cap Stone Shown
45° Corners also available



General Notes:

- Products manufactured in accordance with CSA A23.4
- Site Installation, Backfilling & Suitability for Use is the responsibility of others.
- Custom wall design available upon request



19060 - 54th Avenue
Surrey, B.C. V3S 8E5

Tel (604) 576-1808
info@aeconcrete.com

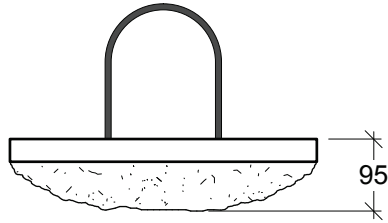
Lock & Load Corner Piece & Cap Stone

Corner: 140 lbs / 64 kgs
Cap Stone: 135 lbs / 61 kgs

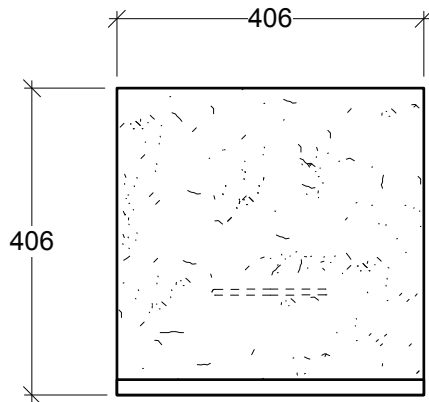
Scale: 1:10 mm

Rev: 28Jun08

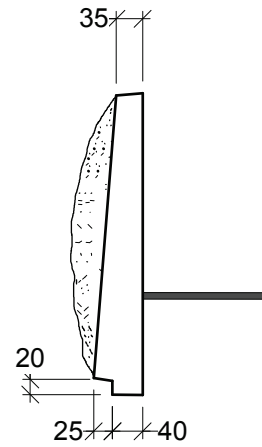
Dwg#: **LOCK & LOAD-2-C**



Plan View



Front View



Side View

General Notes:

- Products manufactured in accordance with CSA A23.4
- Site Installation, Backfilling & Suitability for Use is the responsibility of others.
- Custom wall design available upon request



19060 - 54th Avenue
Surrey, B.C. V3S 8E5

Tel (604) 576-1808
info@aeconcrete.com

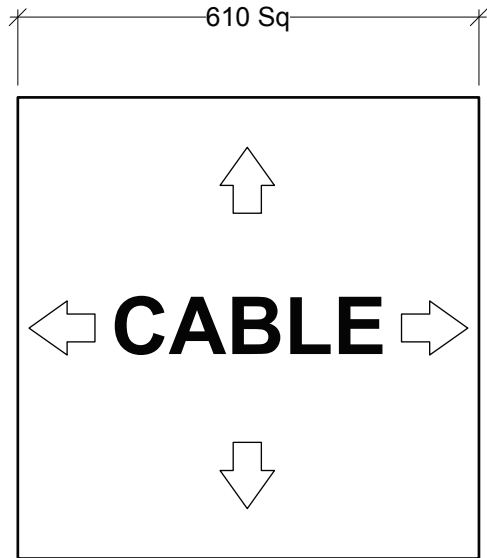
Lock & Load - Half Wide Panels

Panel: 55 lbs / 25 kgs

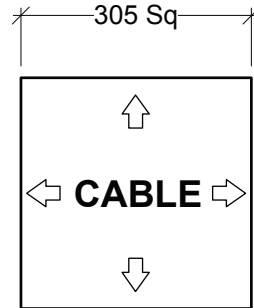
Scale: 1:10 mm

Rev: 28Jun08

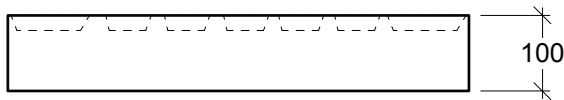
Dwg#: **LOCK & LOAD-3-C**



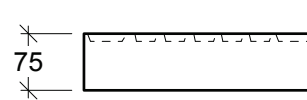
Plan View



Plan View



Side View



Side View

General Notes:

- Product manufactured in accordance with CSA A23.4
- 50 (2") High Letters on 305 x 305 Cable Marker
- 100 (4") High Letters on 610 x 610 Cable Marker
- Arrows Positioned as Required
- Lift Points Provided (See Shop Drawing for Quantity & Locations)
- Site Installation, Backfilling & Suitability for Use is the responsibility of others



19060 - 54th Avenue
Surrey, B.C. V3S 8E5

Tel (604) 576-1808
info@aeconcrete.com

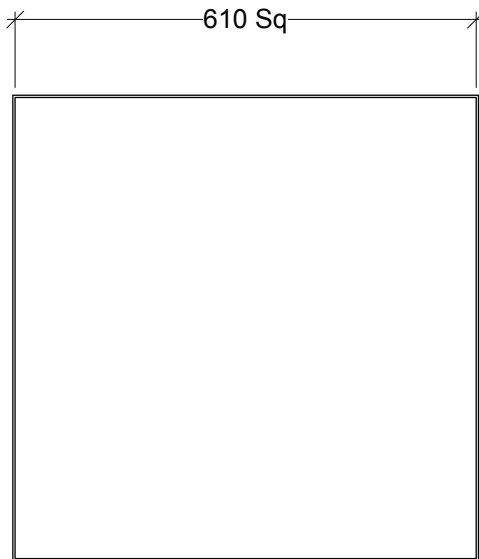
Cable Markers

305 Sq: 40 lbs / 20 kgs
610 Sq: 610 lbs / 100 kgs

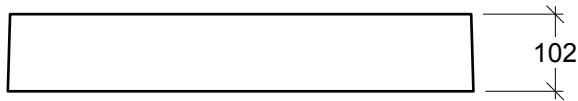
Scale: 1:10 mm

Rev: 28Jun08

Dwg#: **00CM-ZZ-2424-C**



Plan View



Side View

General Notes:

- Product manufactured in accordance with CSA A23.4
- Lift Points Provided (See Shop Drawing for Quantity & Locations)
- Site Installation, Backfilling & Suitability for Use is the responsibility of others



19060 - 54th Avenue
Surrey, B.C. V3S 8E5

Tel (604) 576-1808
info@aeconcrete.com

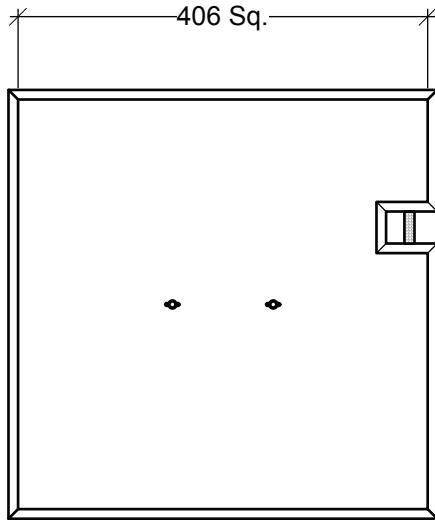
Evergreen Pad

Pad: 200 lbs / 91 kgs

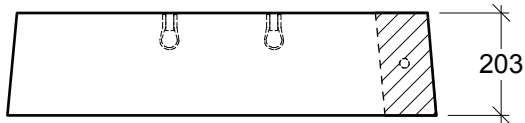
Scale: 1:10 mm

Rev: 28Jun08

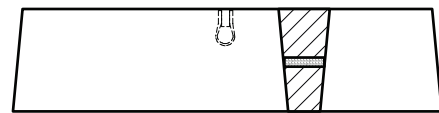
Dwg#: **FPAD-ZZ-2424-C**



Plan View



Side View



End View

General Notes:

- Product manufactured in accordance with CSA A23.4
- Lift Points Provided (See Shop Drawing for Quantity & Locations)
- Site Installation, Backfilling & Suitability for Use is the responsibility of others



19060 - 54th Avenue
Surrey, B.C. V3S 8E5

Tel (604) 576-1808
info@aeconcrete.com

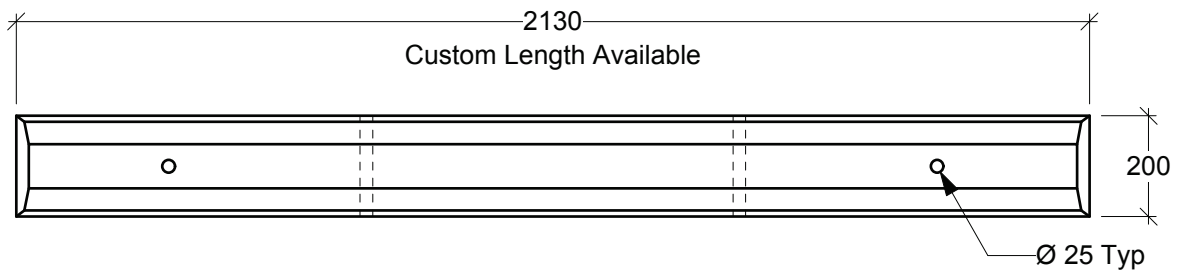
Heritage Lwt Trailer Foundation Pad

Pad: 75 lbs / 34 kgs

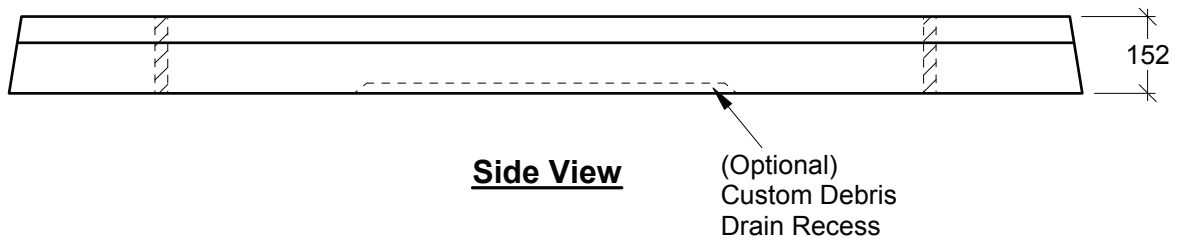
Scale: 1:15 mm

Rev: 28Jun08

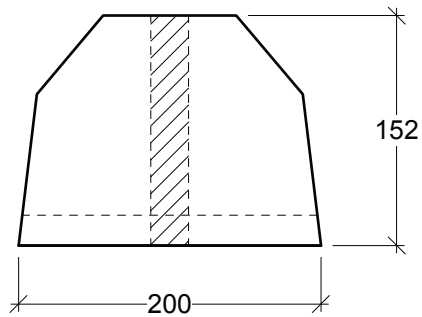
Dwg#: **FPAD-ZZ-1616-C**



Plan View



Side View



End View.

Scale: 1:5

General Notes:

- Product manufactured in accordance with CSA A23.4
- Lift Points Provided (See Shop Drawing for Quantity & Locations)
- Anchor Pins are Available as a Separate Item
- Site Installation & Suitability for Use is the responsibility of others



19060 - 54th Avenue
Surrey, B.C. V3S 8E5

Tel (604) 576-1808
info@aeconcrete.com

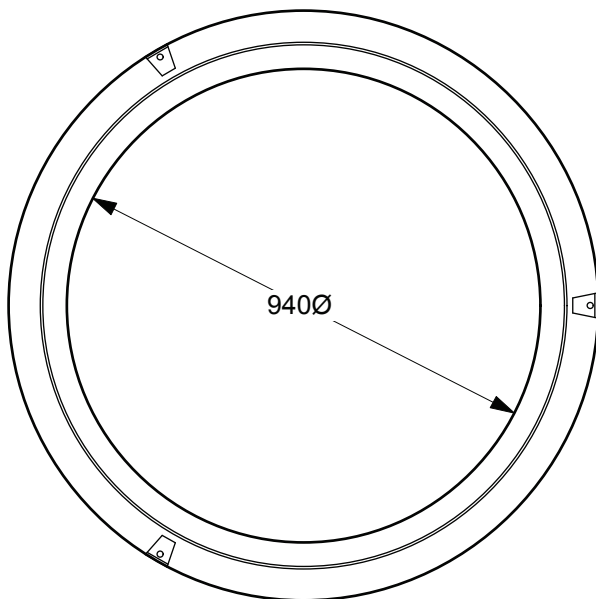
2130mm (7 Foot) Curb Stop

Curb: 305 lbs / 140 kgs

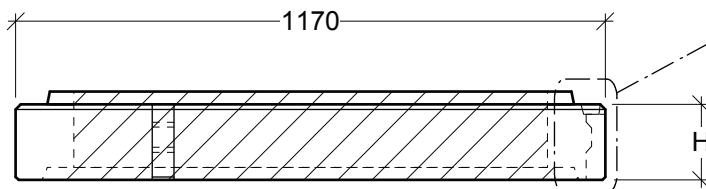
Scale: 1:15 mm

Rev: 28Jun08

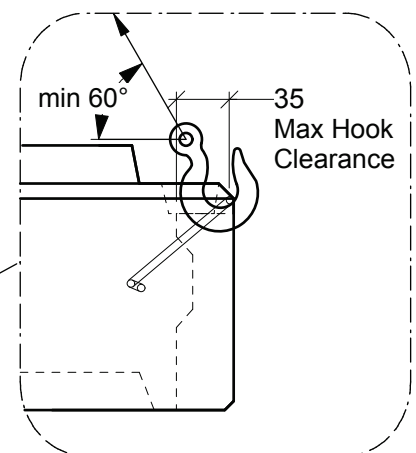
Dwg#: **OCCS-ZZ-0007-C**



Plan View



Side View



General Notes:

- Product manufactured in accordance with CSA A23.4
- Site Installation, Backfilling & Suitability for Use is the responsibility of others
- Suitable for C23 / C23A Cast Iron Frame & Cover
- **Hook Size:** 10-8 (WLL= 3.15 T) Fits Recess
- **Maximum Lift:** 4 Risers w/ Lift Loops but lifting Voids Must align with 2nd Product otherwise Damage may Occur (min 1500 Rigging Length w/ 3 Lifter Bridle)
- Risers to be Set using Non-Shrink Grout by Others



19060 - 54th Avenue
Surrey, B.C. V3S 8E5

Tel (604) 576-1808
info@aeconcrete.com

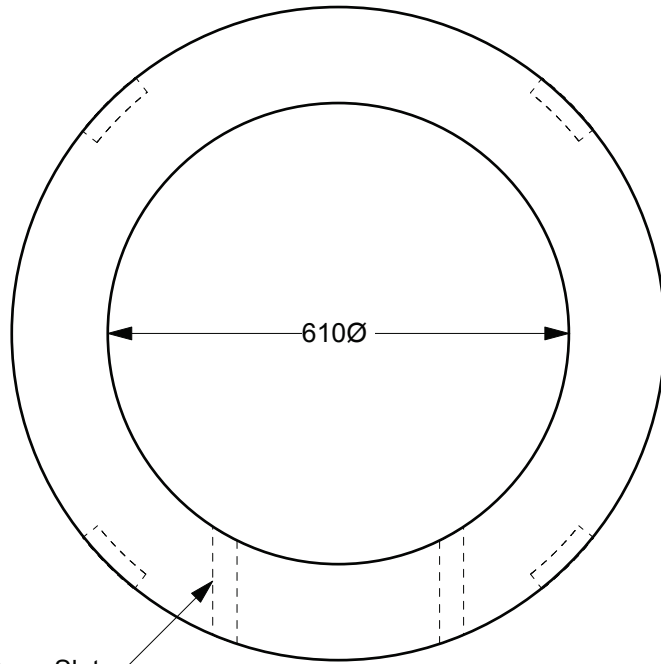
Riser Rings 915Ø

H = 100 (4"): 200 lbs / 95 kgs, 12 / Pallet
 H = 127 (5"): 250 lbs / 115 kgs, 10 / Pallet
 H = 152 (6"): 300 lbs / 140 kgs, 8 / Pallet

Scale: 1:15 mm

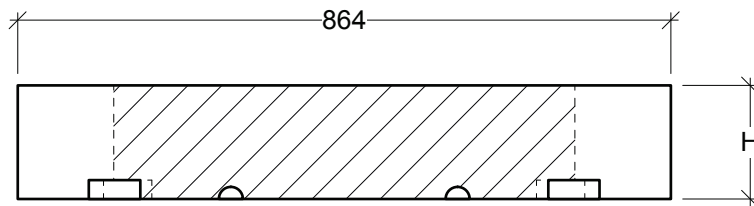
Rev: 02Dec16

Dwg#: **SVTZ-41-01ZZ-C**



Ladder Rung Slots
(150 & 100 Riser Only)

Plan View



Side View

General Notes:

- Site Installation, Backfilling & Suitability for Use is the responsibility of others
- Product manufactured in accordance with CSA A23.4
- Suitable for C18 Cast Iron Frame & Cover



19060 - 54th Avenue
Surrey, B.C. V3S 8E5

Tel (604) 576-1808
info@aeconcrete.com

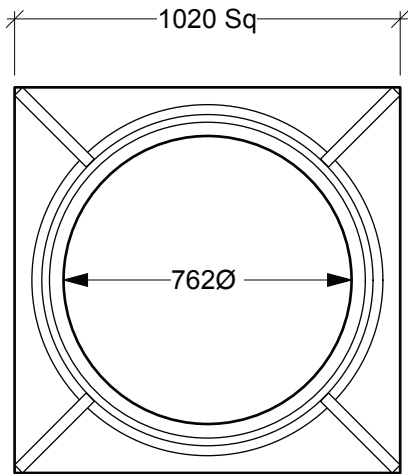
Riser Grade Rings MH 610Ø

H= 50(2"): 80 lbs / 36 kgs
H = 100(4"): 160 lbs / 73 kgs
H = 150(6"): 250 lbs / 91 kgs

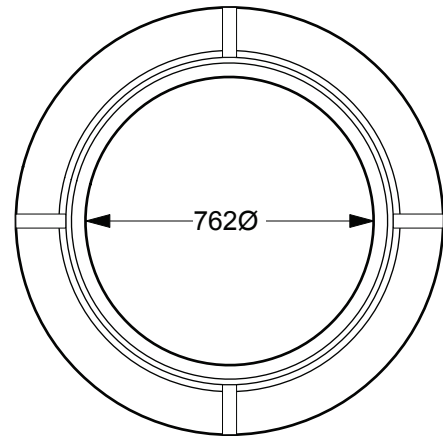
Scale: 1:10 mm

Rev: 28Jun08

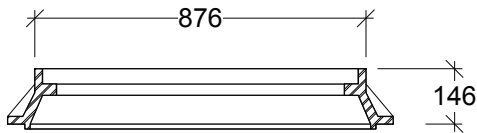
Dwg#: **00GR-41-ZZZZ-C**



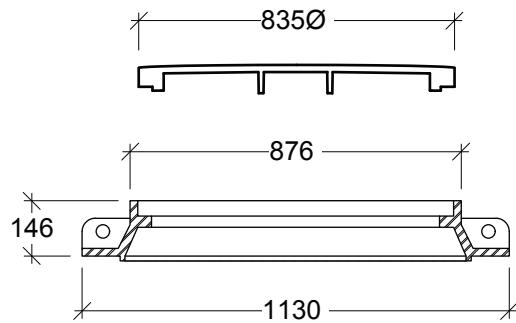
Plan View - Square Frame



Plan View - Round Frame



Section



Section

General Notes:

- Suitable for installation in roadways
- Site installation is the responsibility of others
- Custom marking of cover available (Electrical, Water, etc.)
- Available in Ductile Iron



19060 - 54th Avenue
Surrey, B.C. V3S 8E5

Tel (604) 576-1808
info@aeconcrete.com

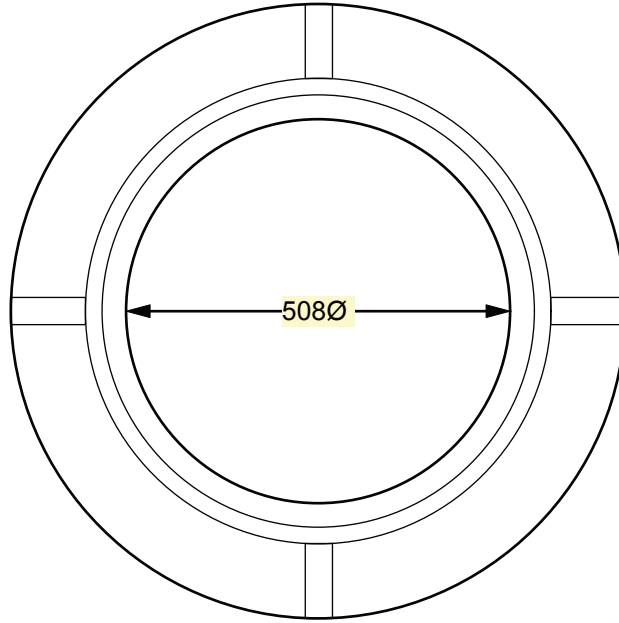
C23 Cast Iron Manhole Frame and Cover

Frame: 340 lbs / 154 kgs
Cover: 240 lbs / 109 kgs

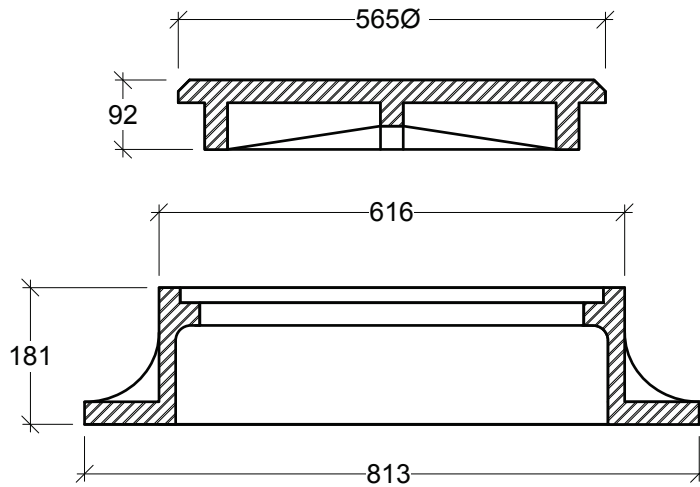
Scale: 1:20 mm

Rev: 28Jun08

Dwg#: **MHFC-97-0760-C**



Plan View - Frame



Section

General Notes:

- Suitable for installation in roadways
- Site installation is the responsibility of others
- Custom marking of cover available (Electrical, Water, etc.)
- Available in Ductile Iron



19060 - 54th Avenue
Surrey, B.C. V3S 8E5

Tel (604) 576-1808
info@aeconcrete.com

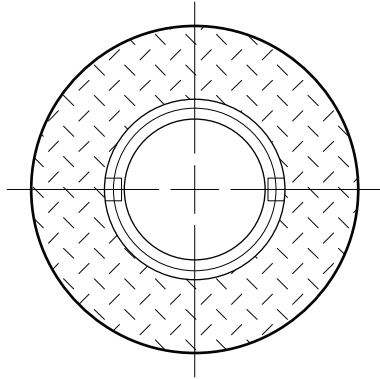
C18 Cast Iron Frame and Cover

Frame: 240 lbs / 109 kgs
Cover: 140 lbs / 63 kgs

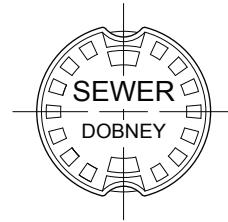
Scale: 1:10 mm

Rev: 28Jun08

Dwg#: **MHFC-96-0610-C**

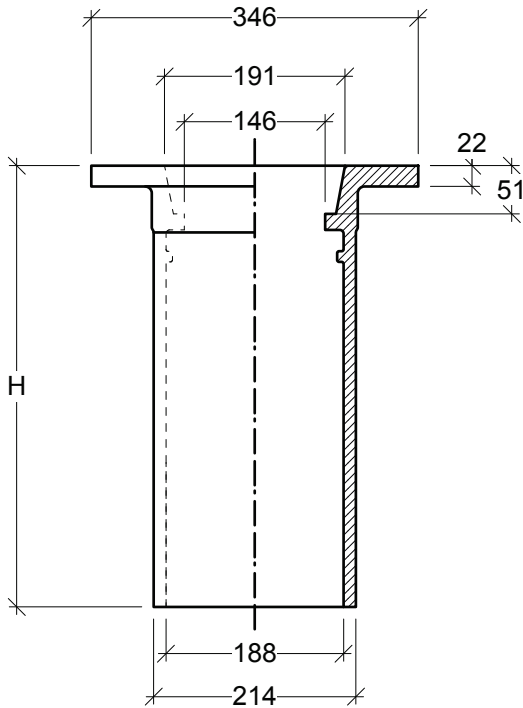


Plan - Valve Box

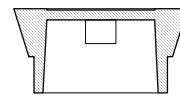


Plan - Lid

Wgt: 15 lbs / 7 kgs



Elevation / Section



Section

H-20 Traffic Load Rated

Lid Marking: "SEWER" or "WATER" or
"OBSERV'N MONITOR WELL"



19060 - 54th Avenue
Surrey, B.C. V3S 8E5

Tel (604) 576-1808
info@aeconcrete.com

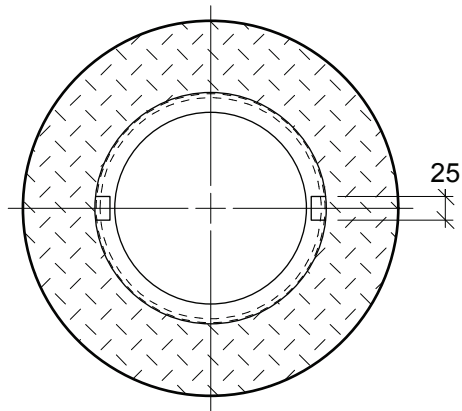
MR-6 Valve Box

H = 467 (18-3/8"): 80 lbs / 36 kgs
H = 314 (12-3/8"): 55 lbs / 25 kgs

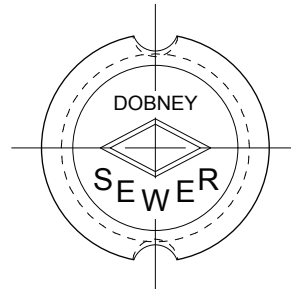
Scale: NTS

Rev: 28Jun08

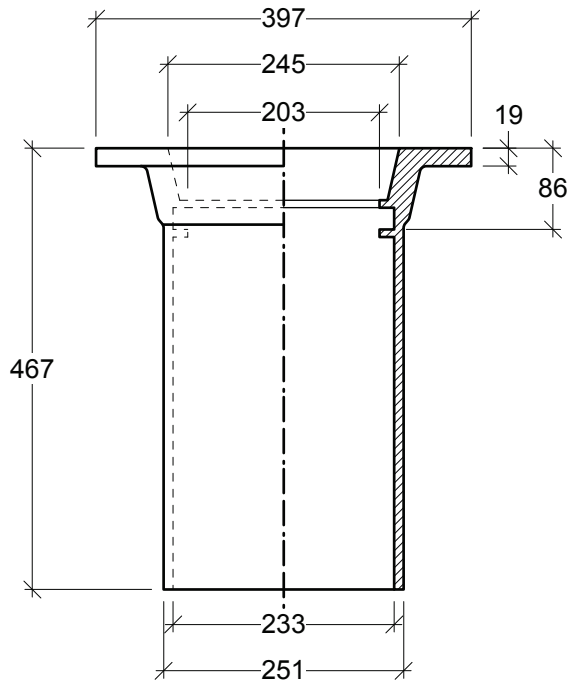
Dwg#: **MHFR-93-MR6-C**



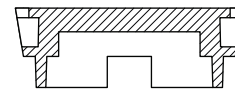
Plan - Valve Box



Plan - Lid



Elevation / Section



Section

H-20 Traffic Load Rated

Option: Boltdown Lid

Lid Marking: "SEWER" or "WATER"



19060 - 54th Avenue
Surrey, B.C. V3S 8E5

Tel (604) 576-1808
info@aeconcrete.com

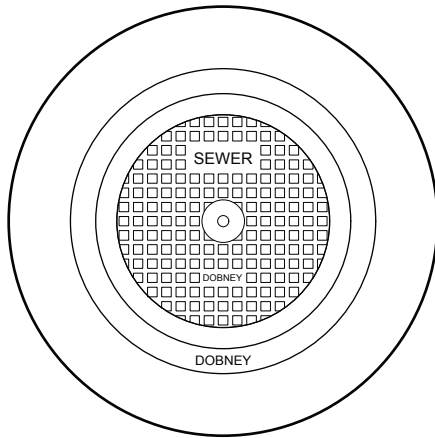
MR-8 Valve Box

Box: 125 lbs / 57 kgs

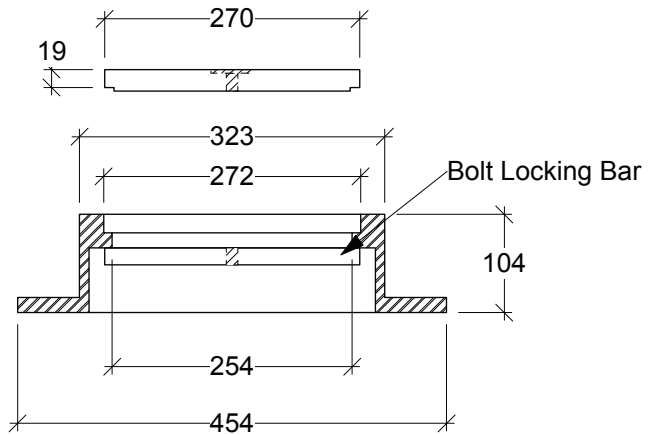
Scale: NTS

Rev: 20Jan09

Dwg#: **MHFR-93-MR8-C**



Plan View



Section



19060 - 54th Avenue
Surrey, B.C. V3S 8E5

Tel (604) 576-1808
info@aeconcrete.com

D-14C Cleanout

Cleanout: 75 lbs / 34 kgs

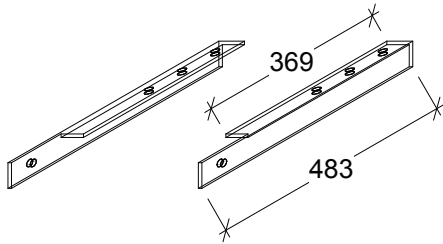
Scale: 1:8 mm

Rev: 28Jun08

Dwg#: **MHFC-93-D14C-C**

Ceiling Mount Brackets

- Shipped Loose



Top Two Rungs are Reinforced For Safety Post

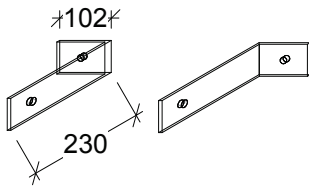
Safety Post

Extends and Locks 915mm Above Ladder

155 Standard Offset

Wall Mount Brackets

- Contractor Can Specify Custom Length
- Bracket can be Welded to Ladder at Specified Location
- Typically Shipped Loose
- MH Mount Brackets Available upon Request



Standard Dimensions

General Notes:

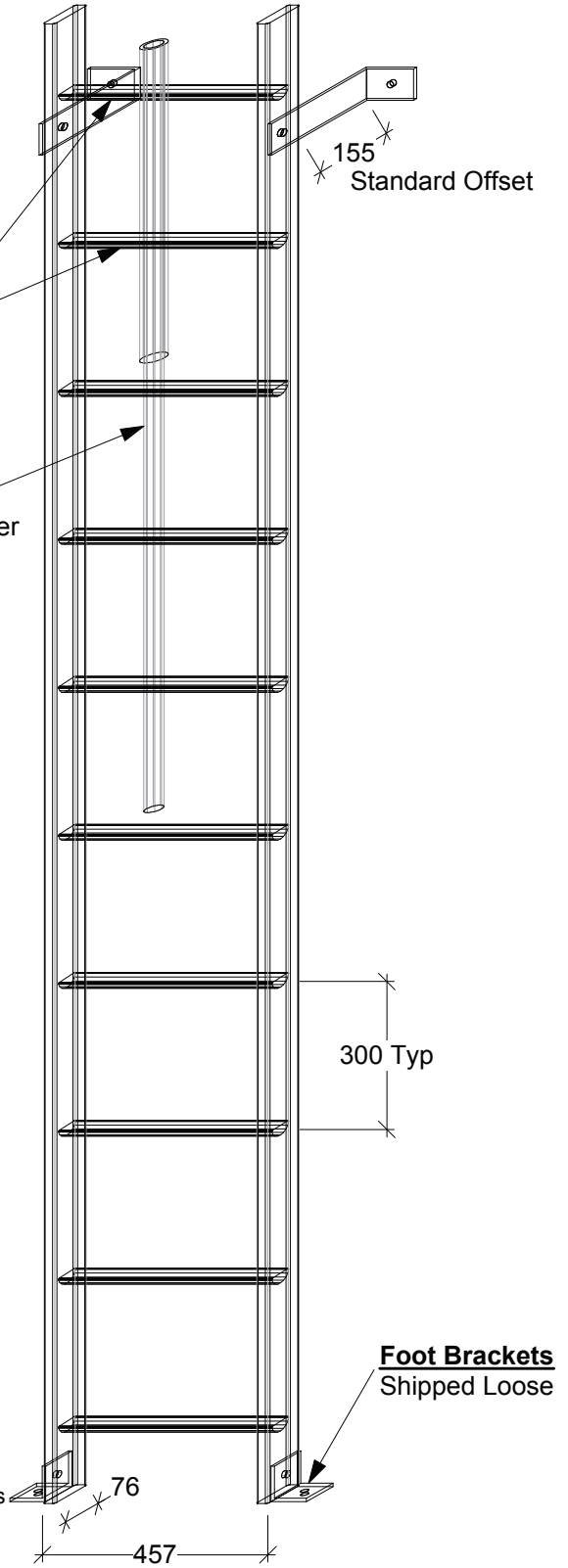
- Meets or Exceeds CSA Grade 1 Heavy Duty , ANSI Type 1A & OSHA (WLL: 300 lbs)
- Standard Ladder Lengths are 3.0m, 3.66m, & 6.0m (10', 12', 20')

Hardware Required to Install (Supplied & Installed by Others):

- 1/2"Ø SS Bolts
- 1/2"Ø SS Hilti Anchors

Installation Instructions:

- Ladders Typically Supplied Over Length to allow for Risers
- Ladders over 3.66m Long are Supplied with an additional Center Support
- Cut Ladder to Length Ensuring Clearance to the Access Hatch or MH Casting
- Top Rung to be within 500mm of Finished Grade Elevation
- Top Brackets to be Mounted within Top 2 Rungs (203 from Top of Ladder)
- Manhole Mount Brackets Available Upon Request
- Install Foot Brackets to Ladder by Drilling and Bolting through Ladder Frame (1/2"Ø SS Bolt)
- Position Ladder & Mark Holes in the Ladder Frame for the Ceiling / Wall Brackets
- Drill Holes in Ladder Frame
- Install the Ceiling or Wall Mount Brackets to Ladder (1/2"Ø SS Bolts) 1 Each (Typ 4 to 6)
- Place Ladder in Position & Hilti Bolt Brackets to Floor & Ceiling / Wall (1/2"Ø SS Hilti Anchors)
- Confirm that All Bolts are Tight, Ladder is Secure, Safety Post Operates Smoothly & doesn't Interfere with Access Cover



Foot Brackets Shipped Loose



19060 - 54th Avenue
Surrey, B.C. V3S 8E5

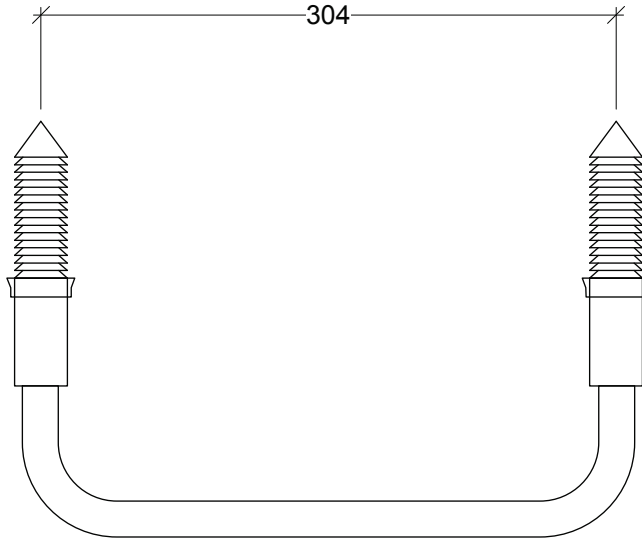
Tel (604) 576-1808
info@aeconcrete.com

Aluminum Ladder w/ Safety Post

Scale: N.T.S.

Rev: 20Feb17

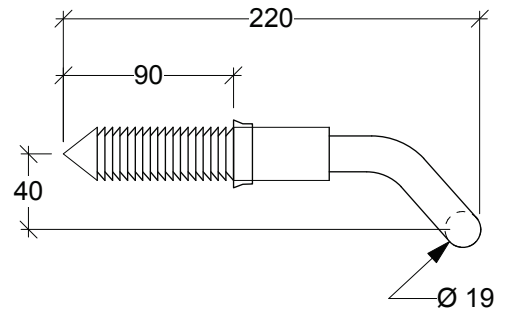
Dwg#: **RSLA-MB-3050-C**



Plan



Front View



Side View



19060 - 54th Avenue
Surrey, B.C. V3S 8E5

Tel (604) 576-1808
info@aeconcrete.com

Aluminum Ladder Rung

Rung: 0.75 lbs / 0.4 kgs

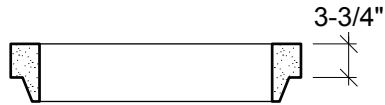
Scale: 1:4 mm

Rev: 28Jun08

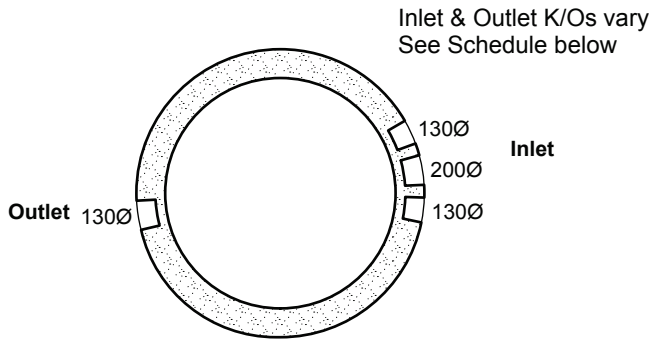
Dwg#: **VCLA-19AL-RUNG-C**

Armtec is a Distributor of the following products:

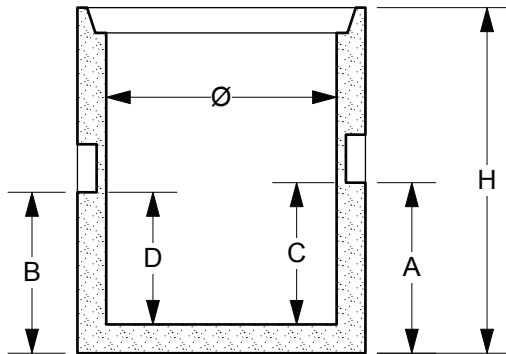
Sump w/ Base									
Item #	ID	H	A	B	C	D	INLET K/Os	OUTLET K/O	Weight (lbs)
12"Ø	305	457	229	229	178	178	1-130Ø	1-130Ø	170
18"Ø	457	610	406	381	356	330	1-130Ø	1-130Ø	340
24"Ø	610	914	584	508	533	457	1-200Ø & 2-130Ø	1-200Ø	861
30"Ø	762	914	584	508	533	457	1-200Ø & 2-130Ø	1-130Ø	1150
36"Ø	914	914	584	508	533	457	1-200Ø & 2-130Ø	1-130Ø	1400



Donut Cover-Section



Sump-Plan



Sump-Section

*All Dimensions in mm unless noted otherwise
Other Lid options & sizes may be available*

12"Ø (305mm) Risers & Covers	Weight (lbs)
305Ø x 152 Riser	40
305Ø x 457 Riser (2 K/O)	145
Cover Solid Concrete	25
Cover Cast Iron D-14 Grate	35

18"Ø (457mm) Risers & Covers	Weight (lbs)
457Ø x 152 Riser	65
457Ø x 305 Riser	130
457Ø x 610 Riser (2 K/O)	270
Cover Solid Concrete	30
Cover Perforated Concrete	30
Cover Cast Iron B-26C Grate	75

24"Ø (610mm) Risers & Covers	Weight (lbs)
610Ø x 152 Riser	130
610Ø x 254 Riser	260
610Ø x 610 Riser	515
610Ø x 915 Riser	750
Cover Solid Concrete	120
Cover Cast Iron B-22B Grate	155

30"Ø (762mm) Risers & Covers	Weight (lbs)
762Ø x 152 Riser	150
762Ø x 152 Riser	300
762Ø x 254 Riser	700
762Ø x 915 Riser	960
Cover Solid Concrete	190
Cover Cast Iron B-22C Grate	95
Cover Donut Lid w/ 610Ø Opening (H-20)	300

36"Ø (915mm) Risers & Covers	Weight (lbs)
915Ø x 152 Riser	195
915Ø x 254 Riser	385
915Ø x 254 Riser	770
915Ø x 915 Riser	1150
Cover Solid Concrete	250
Cover Donut Lid w/ 610Ø Opening (H-20)	350
Ladder Rungs Available in 915H Riser	



19060 - 54th Avenue
Surrey, B.C. V3S 8E5

Tel (604) 576-1808
info@aeconcrete.com

Sumps, Risers & Covers

Scale: NTS

Rev: 12Mar09

Dwg#: **SUMP-RS-MISC-C**