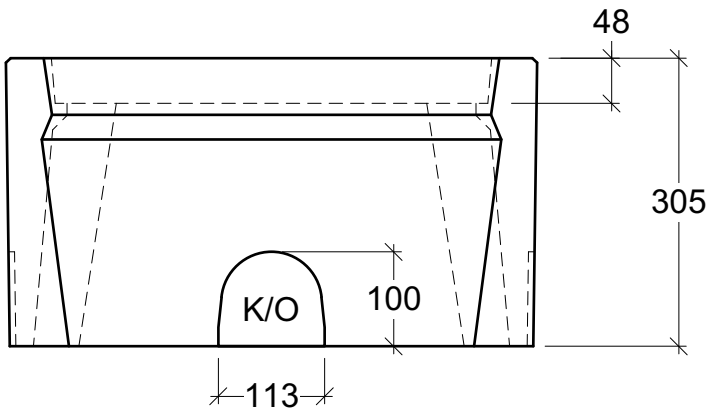
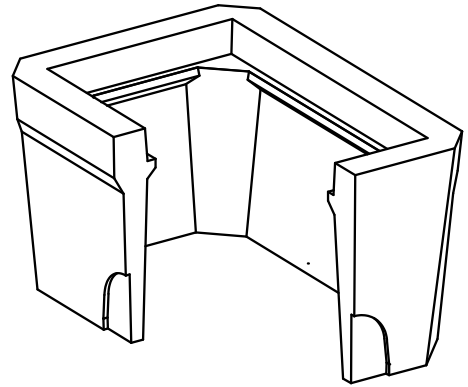
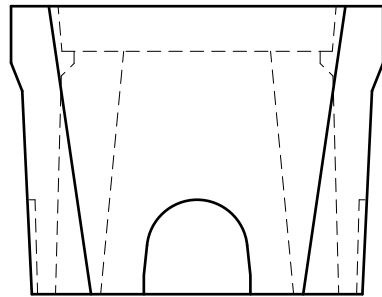


Plan View



Side View



End View

General Notes:

- Products manufactured in accordance with CSA A23.4
- Designed for Boulevard (Off-Road) Use - H-20 Static Loading
- Site Installation, Backfilling & Suitability for Use is the responsibility of others



B937 Top / Extension 305 High
(#37 & B-9 1/2)

Top/Ext: 105 lbs / 50 kgs

Rev: 27Jun25

Dwg#: **B937-00-0305-C**