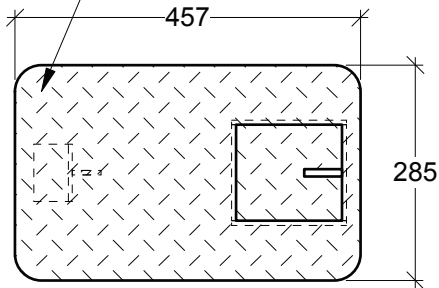
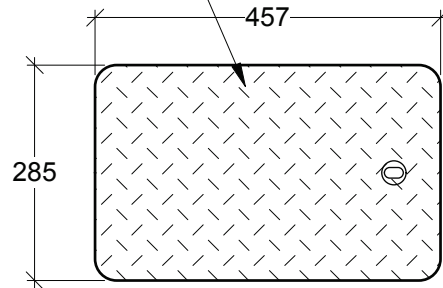


Painted Black, Bolt-down, Steel Checker Plate Lids

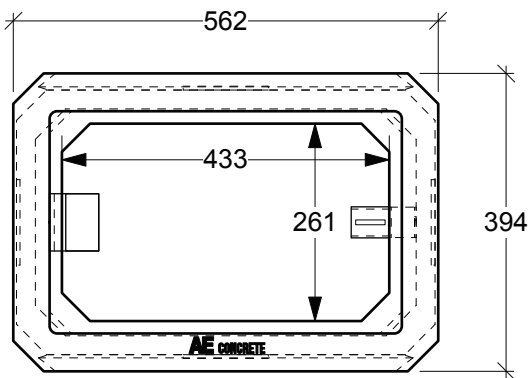
Options: Galvanizing, Padlock Recess
Remote Reader Holes
Weld Marking e.g. "ELEC"



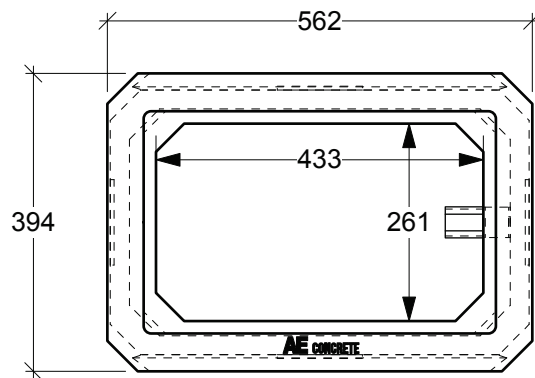
Plan View
Steel Lid



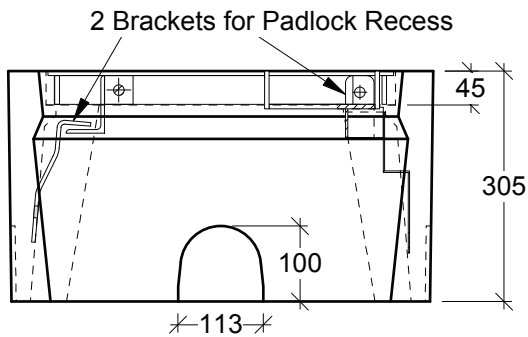
Plan View
Steel Lid



Plan View

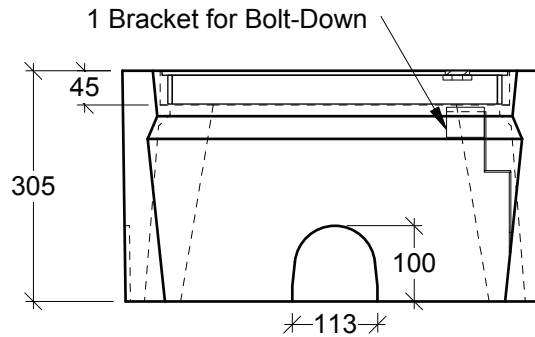


Plan View



Side View

Padlock Recess



Side View

Bolt Down

General Notes:

- Products manufactured in accordance with CSA A23.4
- Designed for Boulevard (Off-Road) Use - H-20 Static Loading
- Steel Products manufactured under CSA W47.1 in accordance to CSA W59
- Site Installation, Backfilling & Suitability for Use is the responsibility of others.



19060 - 54th Avenue
Surrey, B.C. V3S 8E5

Tel (604) 576-1808
info@aeconcrete.com

B937 Box w/ Tamper Proof Lid Options

Lid: 20 lbs / 10 kgs
Box: 105 lbs / 50 kgs
Total: 125 lbs / 60 kgs

Scale: 1:10 mm

Rev: 28Jun08

Dwg#: **B937-N3-LREC-C**