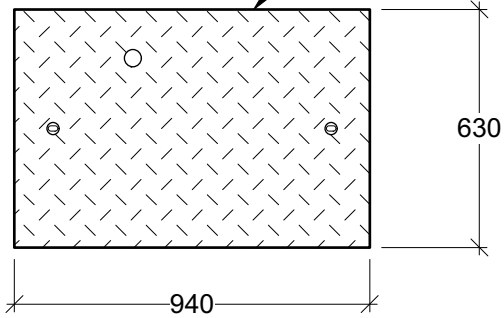
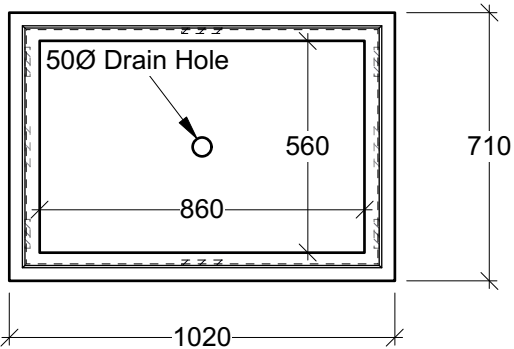


Steel Checker Plate Lid Options:

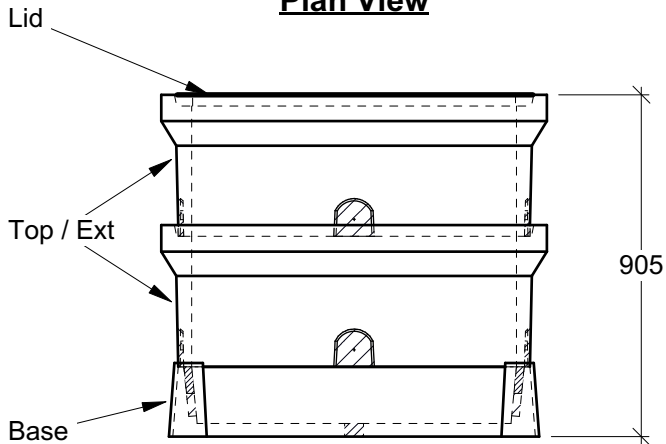
- Painted Black, Galvanized
- Boltdown, Padlock Recess
- Remote Reader Holes
- Weld Marking e.g. "ELEC"



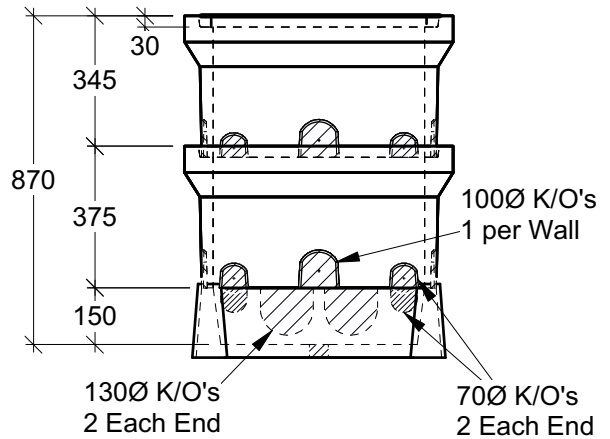
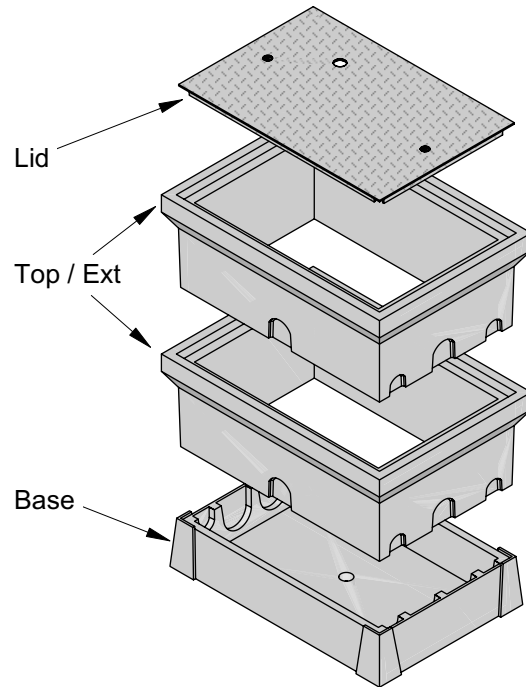
Plan View - Lid



Plan View



Side View



End View

General Notes:

- Products Manufactured in Accordance with CSA A23.4
- Designed for Boulevard (Off-Road) Use - Occasional H-20 Loading
- Steel Products Manufactured under CSA W47.1 in Accordance to CSA W59
- Site Installation, Backfilling & Suitability for Use is the Responsibility of Others

Description	Dwg#	AE#	Weight
5686 Lid	* Choose Lid Based on Options *		92 lbs / 42 kgs
5686 Top 375 / Ext 345	5686-00-0375	430138	195 lbs / 89 kgs
5686 Base 160	5686-30-0160	430146	175 lbs / 80 kgs
(Telus: Lid 430155, 1124 Complete Box)		Total	657 lbs / 300 kgs



Tel (604) 576-1808

sales@aeconcrete.com

5686 Service Box - Complete

Scale: 1:20 mm

Rev: 15Apr25

Dwg#: **5686-N3-ZZZZ-C**

SAP#: 1125 + LID