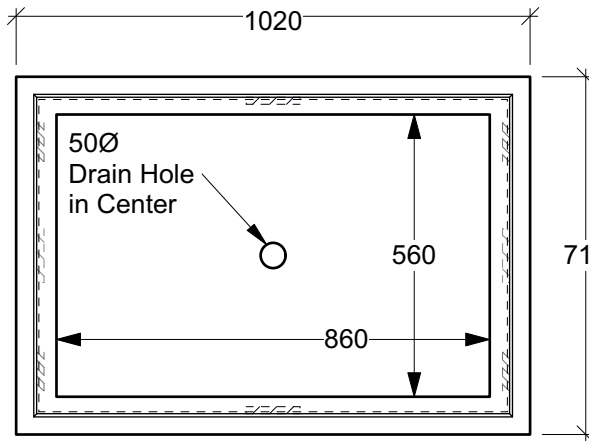
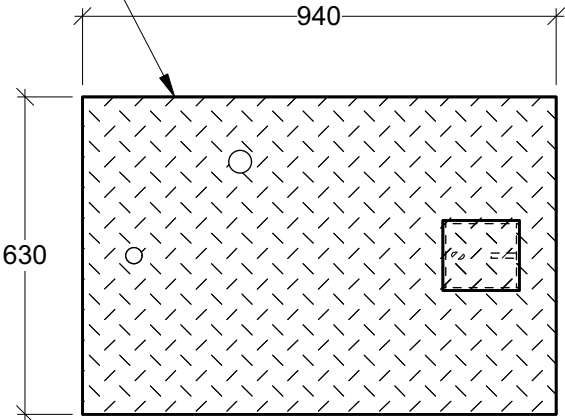


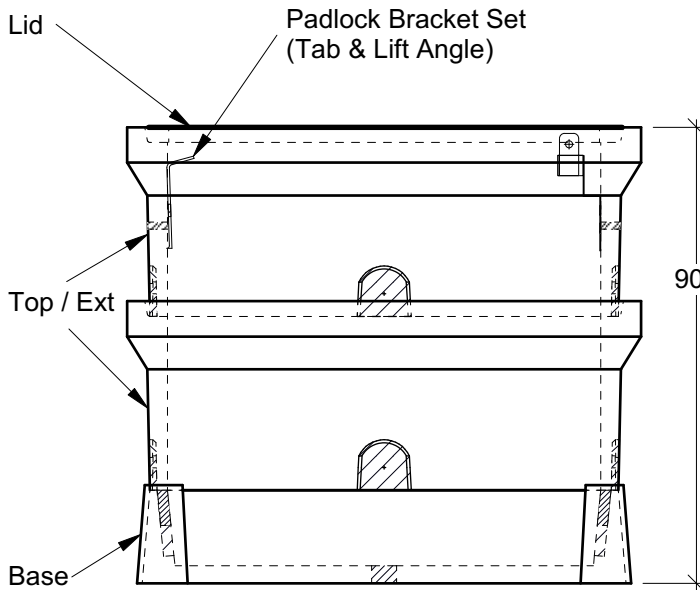
Painted Black, Steel Checker Plate Lids  
**Options:** Galvanizing, Remote Reader Holes  
 Weld Marking e.g. "ELEC"



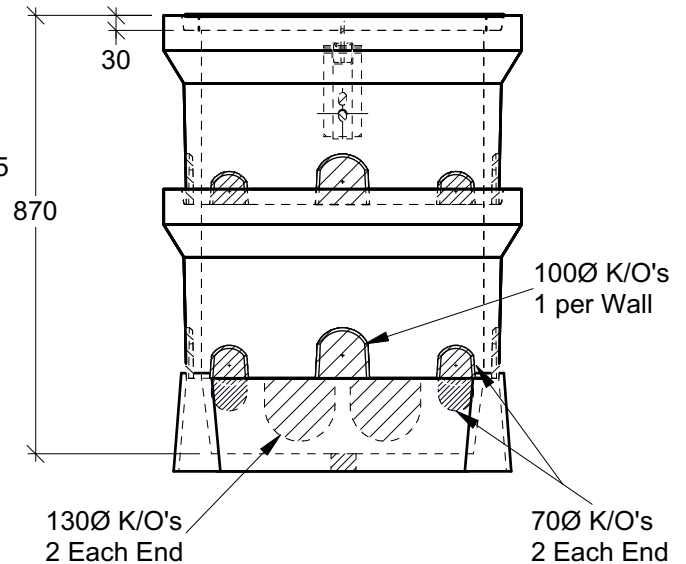
**Plan View**



**Plan View-Lid**



**Side View**



**End View**

**General Notes:**

- Products Manufactured in Accordance with CSA A23.4
- Designed for Boulevard (Off-Road) Use - H-20 Static Loading
- Site Installation, Backfilling & Suitability for Use is the Responsibility of Others



**5686 Service Box w/ Padlock Recess - Complete**

Lid: 100 lbs / 45 kgs  
 Top/Ext: 195 lbs / 90 kgs  
 Base: 175 lbs / 80 kgs Total: 665 lbs / 305 kgs

Rev: 10Jun25

Dwg#: **5686-N5-PADL-C**