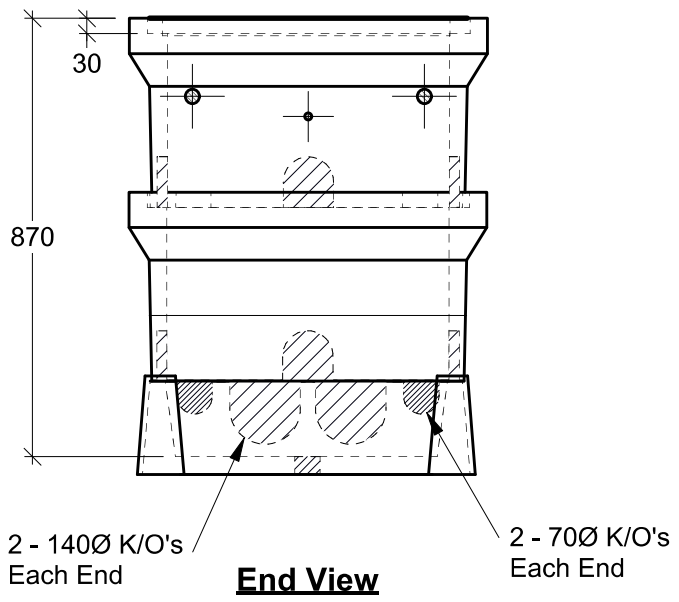
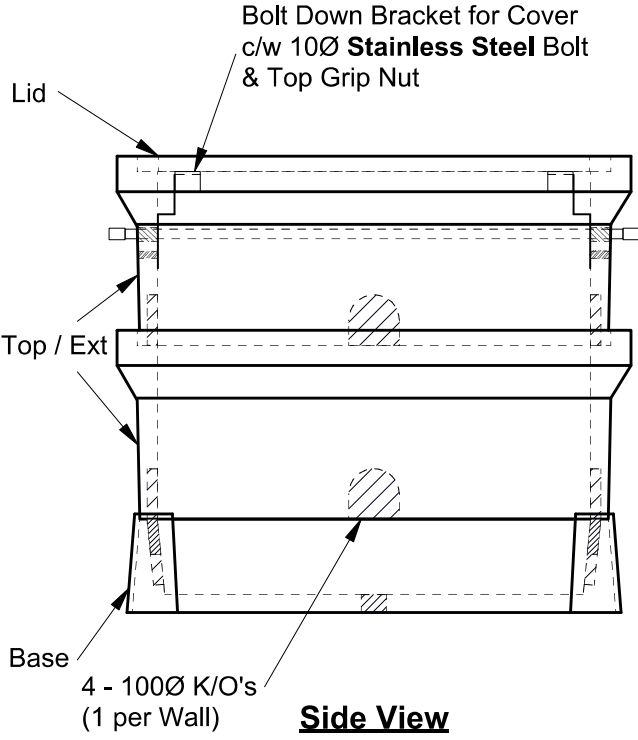
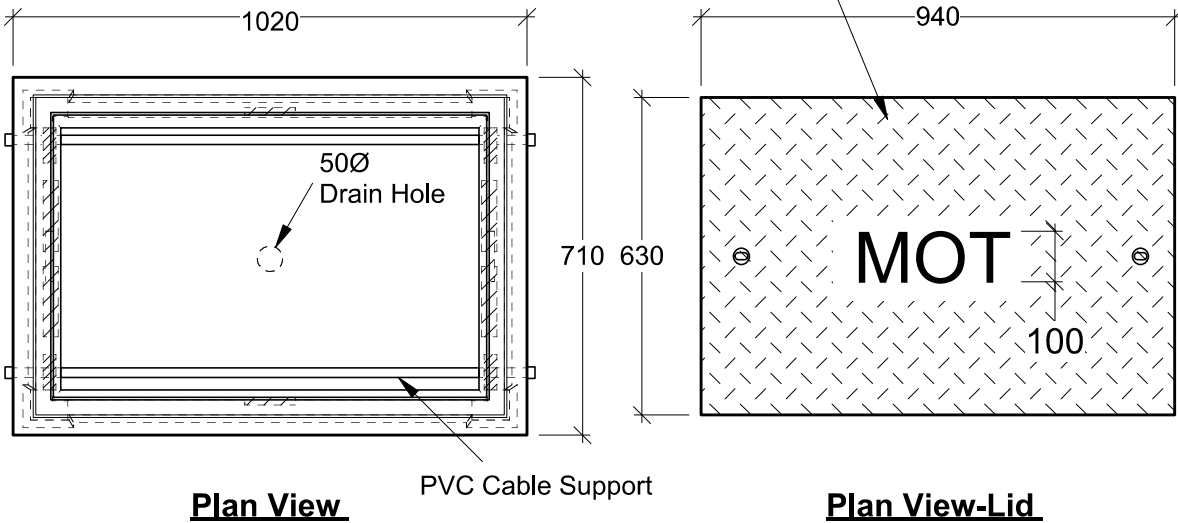


This drawing and ALL information is and shall remain the property of AE Concrete Products Inc. and any use, alterations, or reproductions without the expressed written consent of AE Concrete Products Inc. is STRICTLY PROHIBITED.

Galvanized Checker Plate
Marked "MoT"
w/ Holes for Bolt-down



Full Box Consists of:

DWG#	Material Number	SAP#
5686-68-BDMO	5686 Lid "MOT"(100H) Bolt'dn Galv No Hrdw	430160
5686-28-BDPV-SS	5686 PullBody 375mm w/ SS BD+ RPVC Sup 2	431107
5686-27-0375	5686 Pullbody 375mm w/ 4 k/o	430144
5686-30-0160	5686 Base 160mm	430146

General Notes:

- Product manufactured in accordance with CSA A23.4
- Designed for Boulevard (Off-Road) Use - H-20 Static Loading
- Site Installation, Backfilling & Suitability for Use is the responsibility of others



19060 - 54th Avenue
Surrey, B.C. V3S 8E5

Tel (604) 576-1808
info@aeconcrete.com

5686 Pull Box (880H) w/ Bolt-down & RPVC (3/8" SS)

(MoTH Dwg#: SP635-1.3.1, 2000 Dwg# SP235-1.3.2)

Cover: 100 lbs / 45 kgs
Top/Ext: 195 lbs / 89 kgs
Base: 175 lbs / 79 kgs Total: 665 lbs / 305 kgs

Scale: 1:15 mm

Rev: 14Jan22

Dwg#: **5686-N8-MOTH-C**

SAP#: 1128 + LID