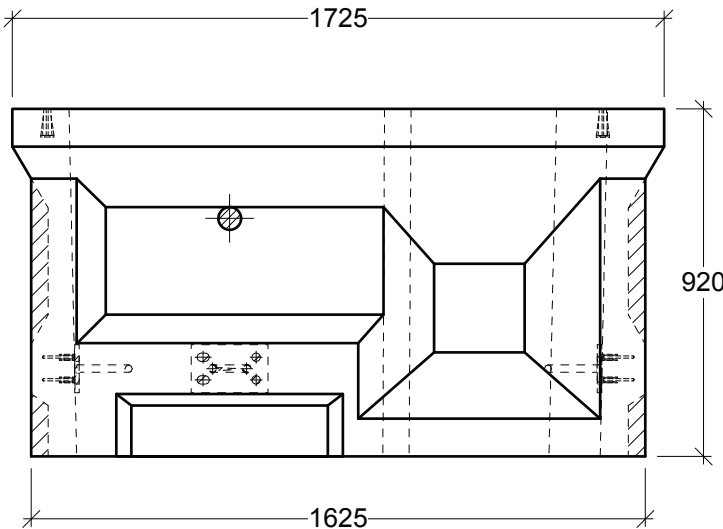


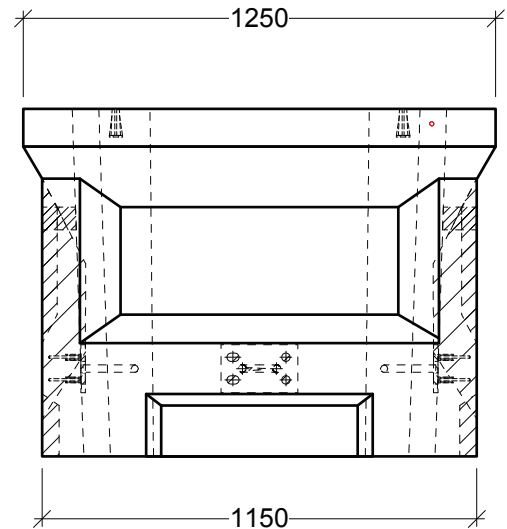
4-Hole Pulling Iron
(Typ 4)

13Ø Inserts
(Typ 4)

Top View



Side View



End View

General Notes:

- Product manufactured in accordance with CSA A23.4
- Lift Points Provided (See Shop Drawing for Quantity & Locations)
- Site Installation, Backfilling & Suitability for Use is the responsibility of others



19060 - 54th Avenue
Surrey, B.C. V3S 8E5

Tel (604) 576-1808
info@aeconcrete.com

3 Phase Low Profile Junction Kiosk

(BCH Stk# 400-0850)

Kiosk: 2,650 lbs / 1,210 kgs

Scale: 1:20 mm

Rev: 22Dec08

Dwg#: **HJK3-20-ZZZZ-C**