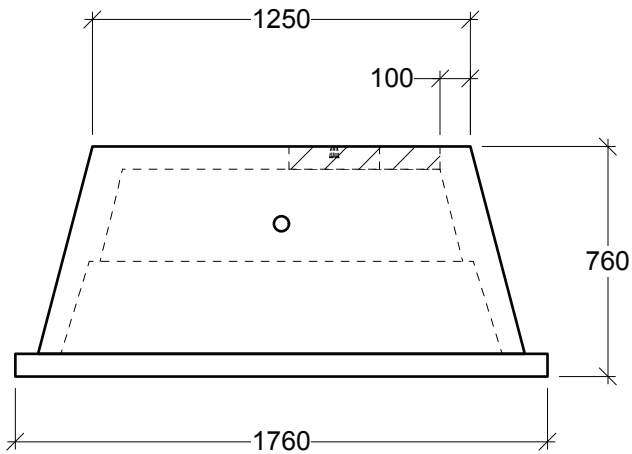
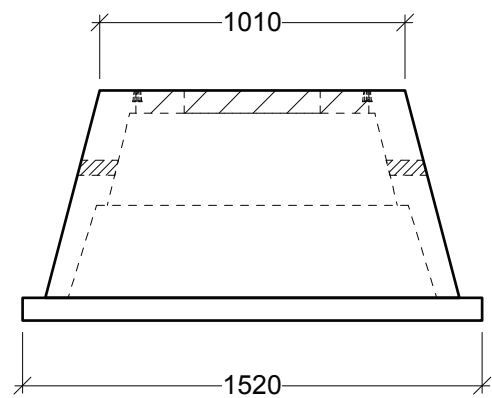


Plan View



Side View



End View

General Notes:

- Product manufactured in accordance with CSA A23.4
- Lift Points Provided (See Shop Drawing for Quantity & Locations)
- Site Installation, Backfilling & Suitability for Use is the responsibility of others



19060 - 54th Avenue
Surrey, B.C. V3S 8E5

Tel (604) 576-1808
info@aeconcrete.com

LPT Pyramid Pad

(BCH Dwg# ES54 F1-03, BCH Stk# 400-0851)

Pad: 2,460 lbs / 1,120 kgs

Scale: 1:25 mm

Rev: 28Jun08

Dwg#: **HPAD-ZZ-LPTP-C**