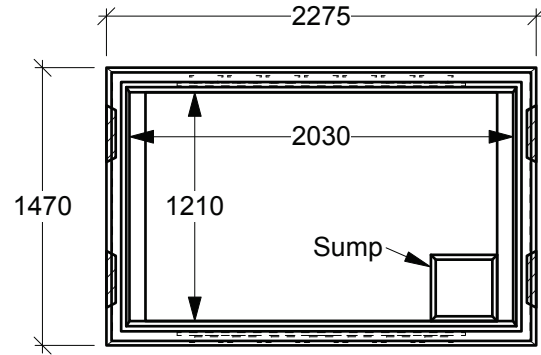
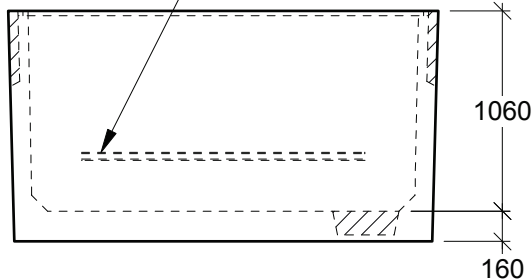
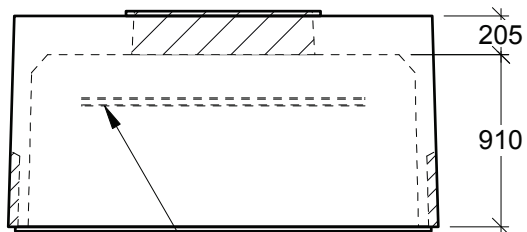
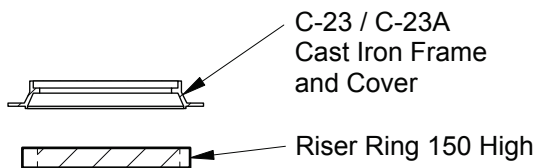


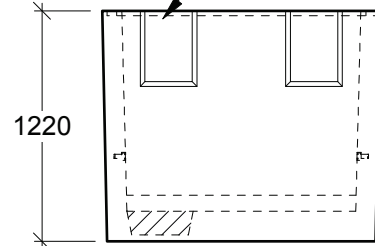
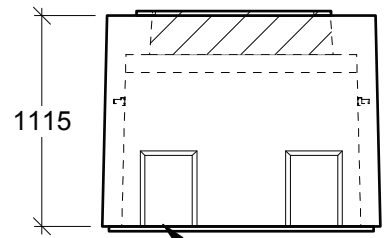
Plan View - Top



Plan View - Bottom



Side View



End View

General Notes:

- Product manufactured in accordance with CSA A23.4
- Lift Points Provided (See Shop Drawing for Quantity & Locations)
- Designed for Roadway Use - H-20 Traffic Loading
- Design and Provision of Thrust Blocks is the responsibility of others
- Site Installation, Backfilling & Suitability for Use is the responsibility of others



19060 - 54th Avenue
Surrey, B.C. V3S 8E5

Tel (604) 576-1808
info@aeconcrete.com

2122 MoT Communications Vault

Top: 6,200 lbs / 2,820 kgs
Btm: 6,700 lbs / 3,040 kgs

Scale: 1:40 mm

Rev: 22Jul13

Dwg#: **VC21-20-MOTH-C**