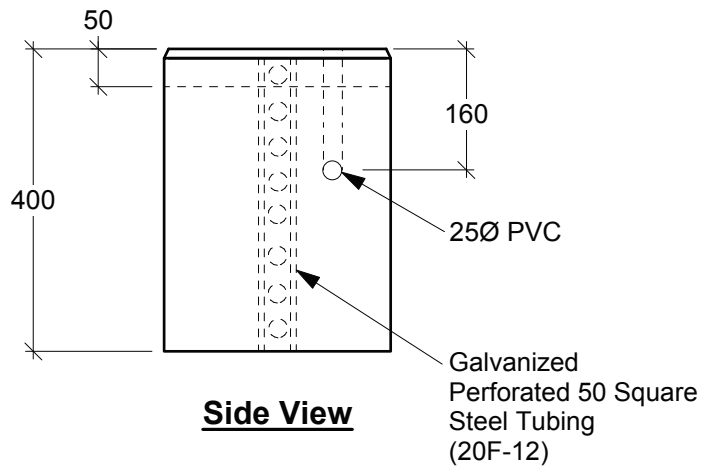


Plan View



Side View

General Notes:

- Product manufactured in accordance with CSA A23.4
- Lift Points Provided (See Shop Drawing for Quantity & Locations)
- Site Installation, Backfilling, Suitability for Use and Engineering Design Approval is the responsibility of others



19060 - 54th Avenue
Surrey, B.C. V3S 8E5

Tel (604) 576-1808
info@aeconcrete.com

MoT & MMCD Post Mounted Flasher Base

(MoTH Dwg# SP635-1.1.37, MMCD Dwg# E1.18)

Base: 160 lbs / 80 kgs

Scale: 1:10 mm

Rev: 28Jun13

Dwg#: **SLFL-30-0400-C**